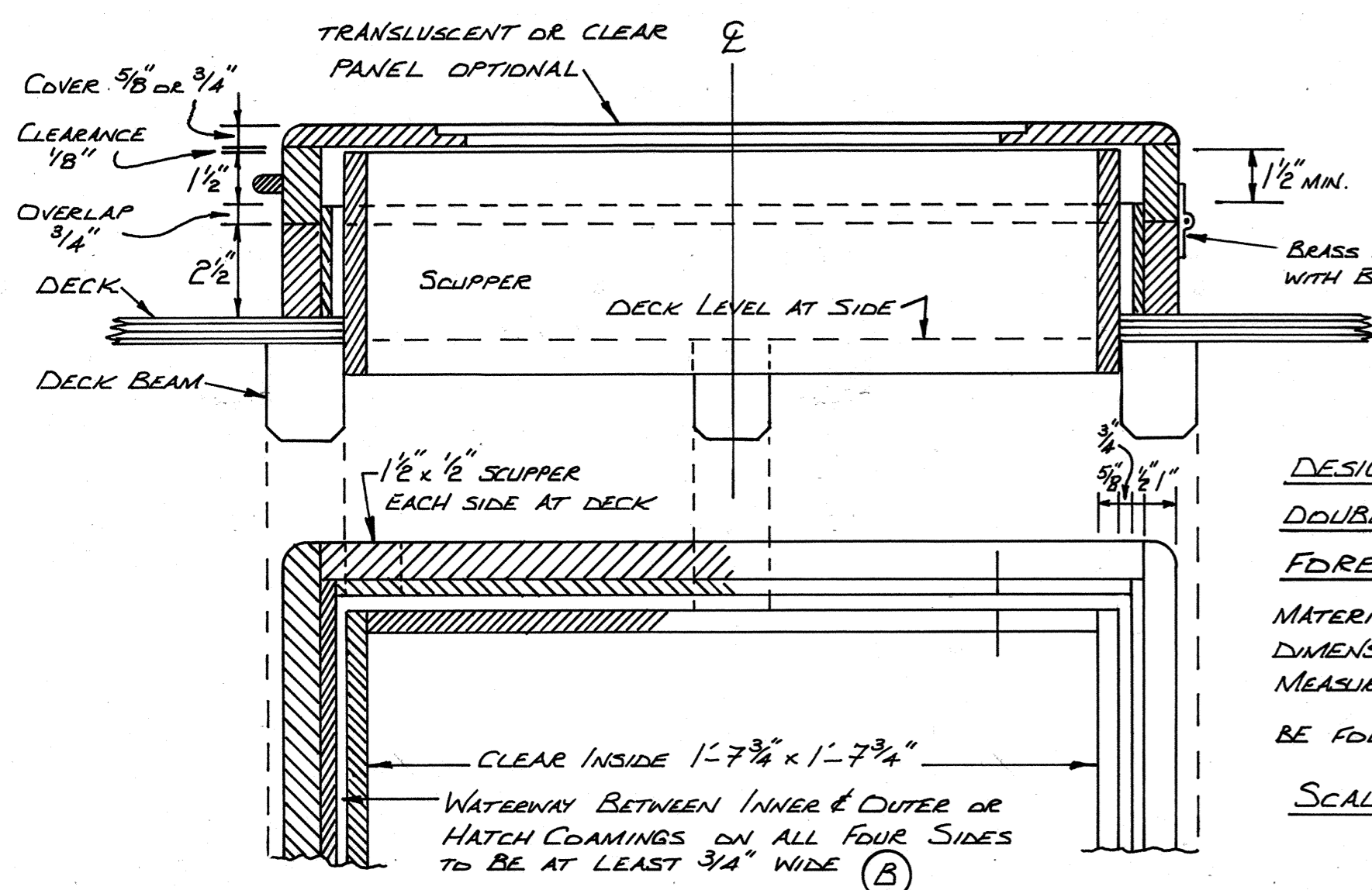
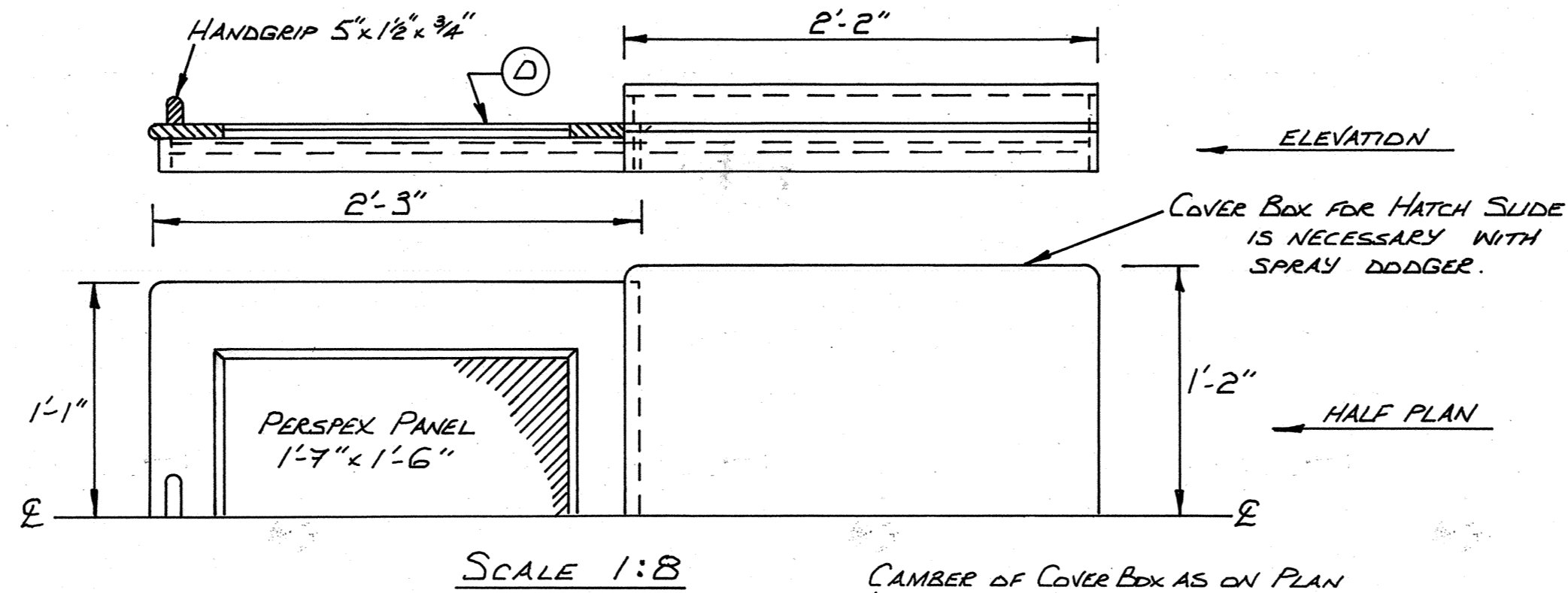
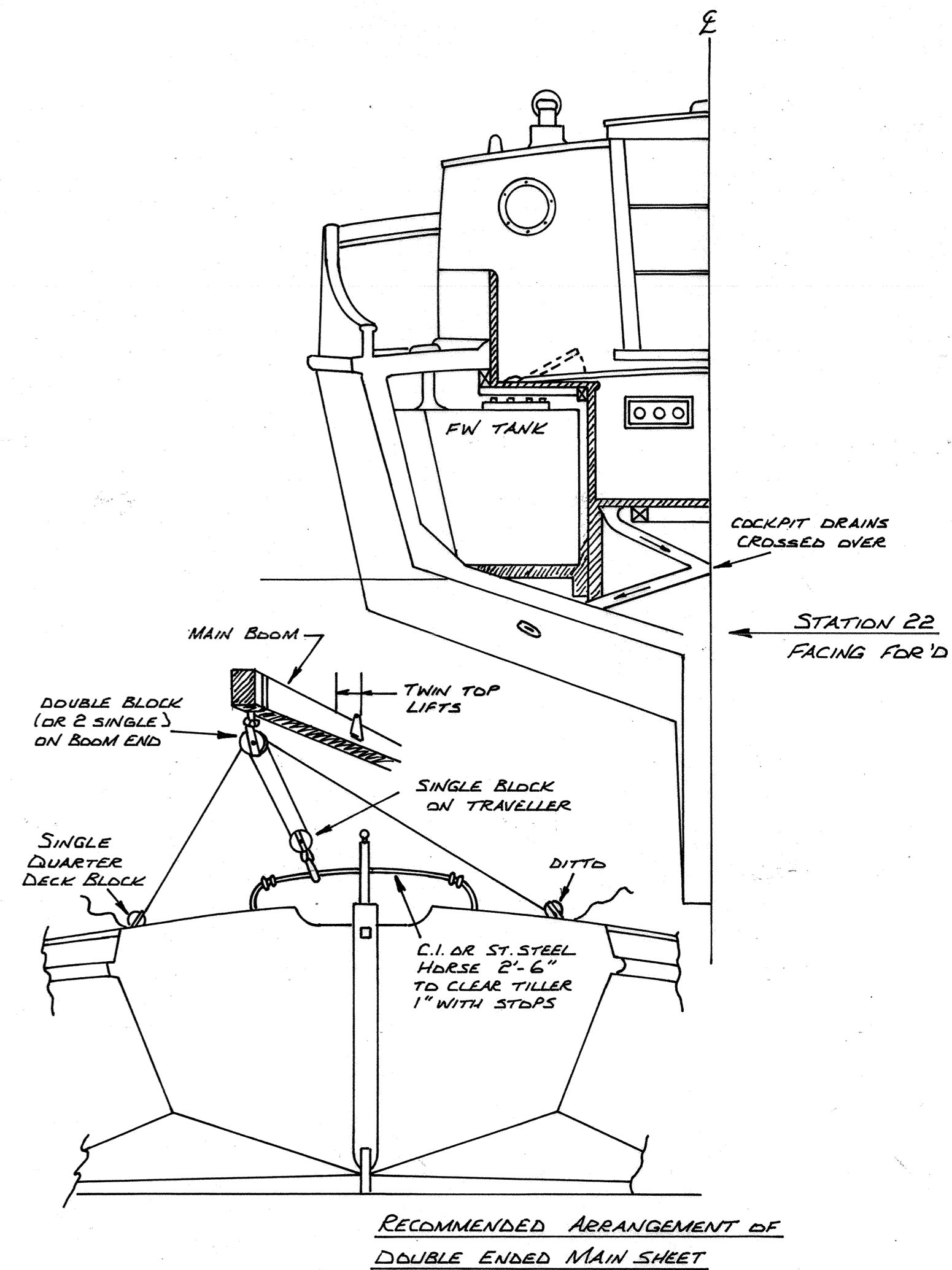
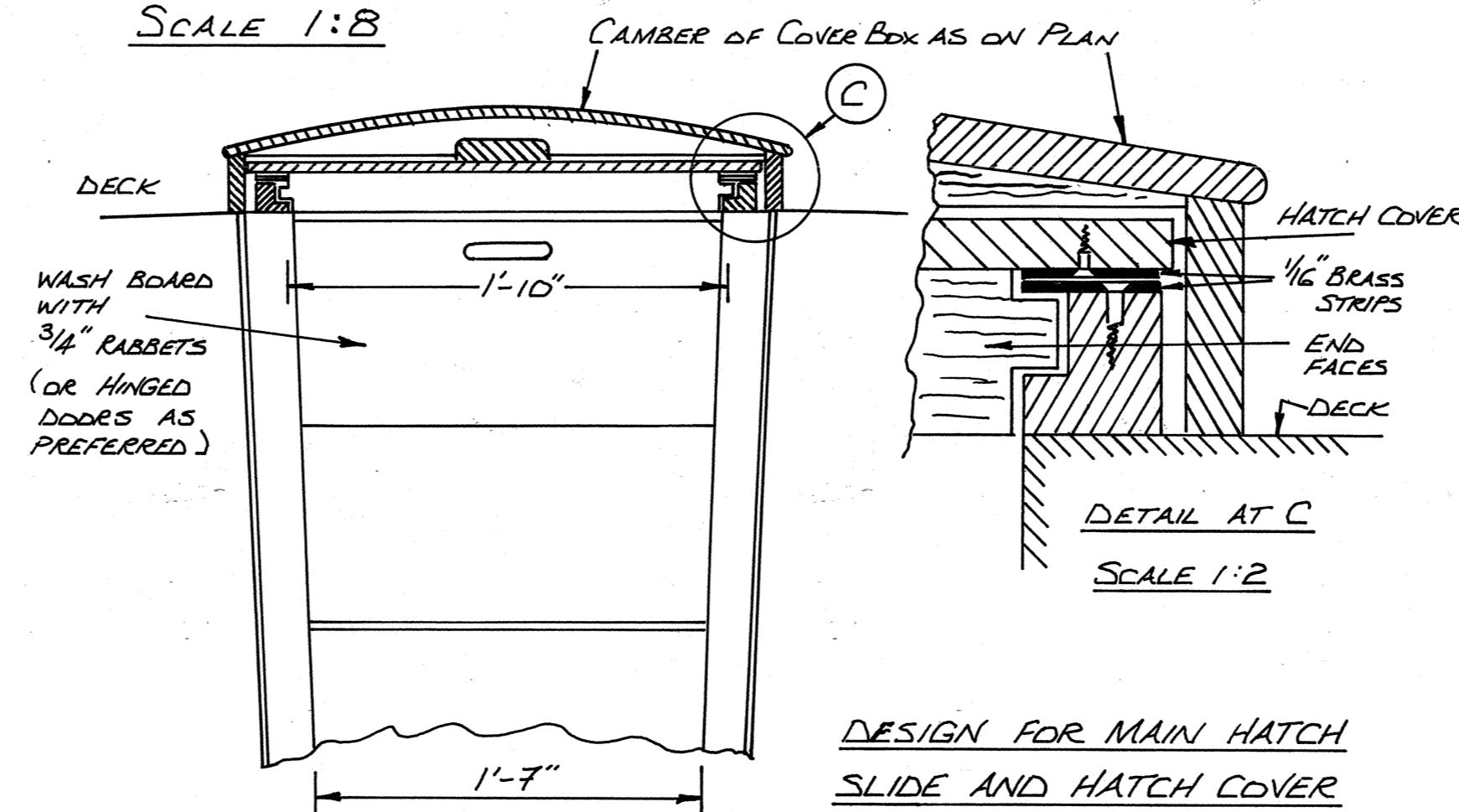


NOTE (D) WHERE TRANSPARENT/LUCENT PANEL IS NOT REQUIRED HATCH COVER SHOULD BE MADE WITH SUITABLE CAMBER PLANKED & GLUED.

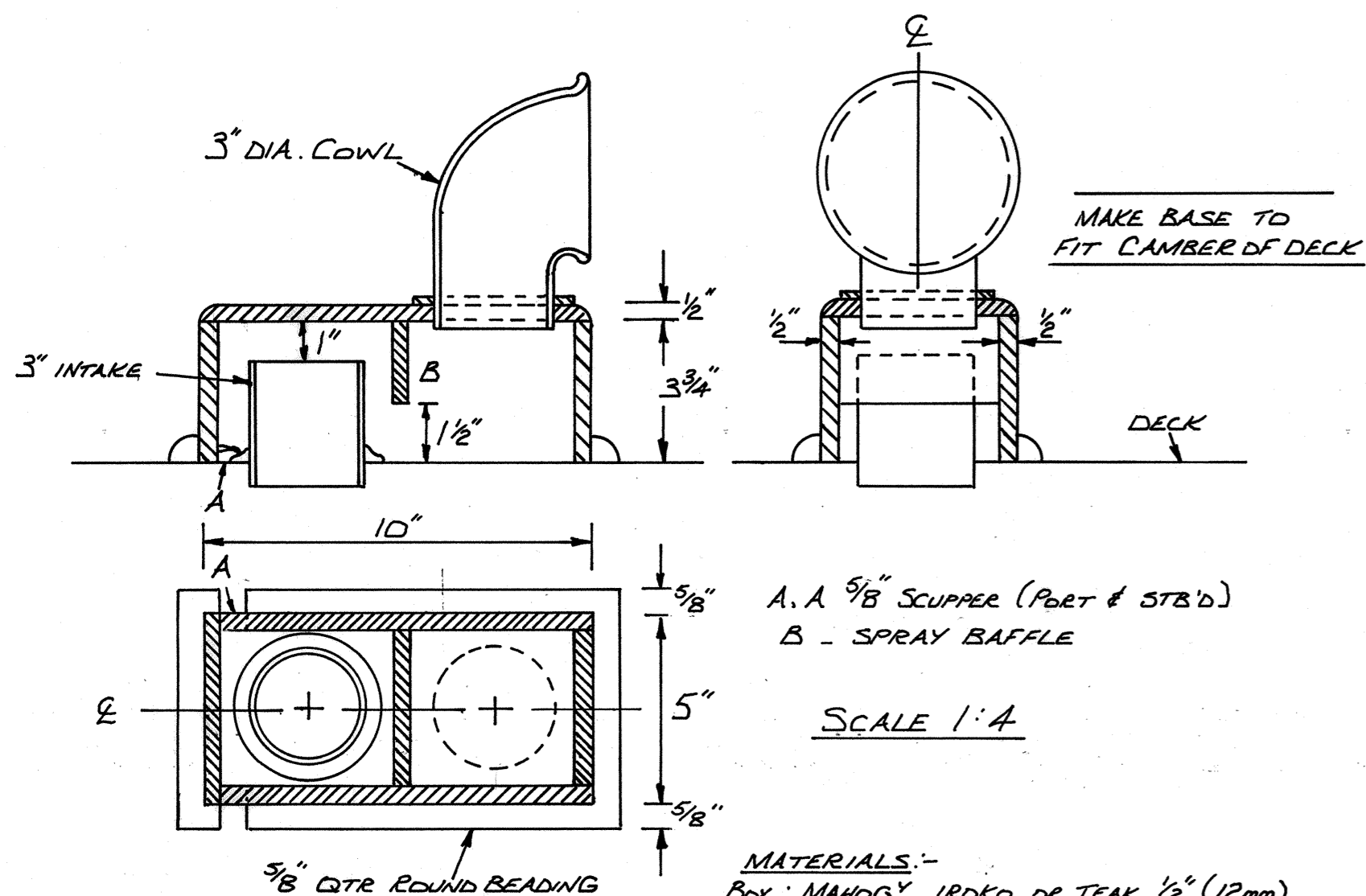


DESIGN FOR MG TYPE
DOUBLE COAMING NON-LEAK
FORE HATCH
MATERIAL - MAHOG., TEAK OR IROKO
DIMENSIONS TO SUIT BOAT BUT
MEASUREMENTS (A) AND (B) MUST
BE FOLLOWED.

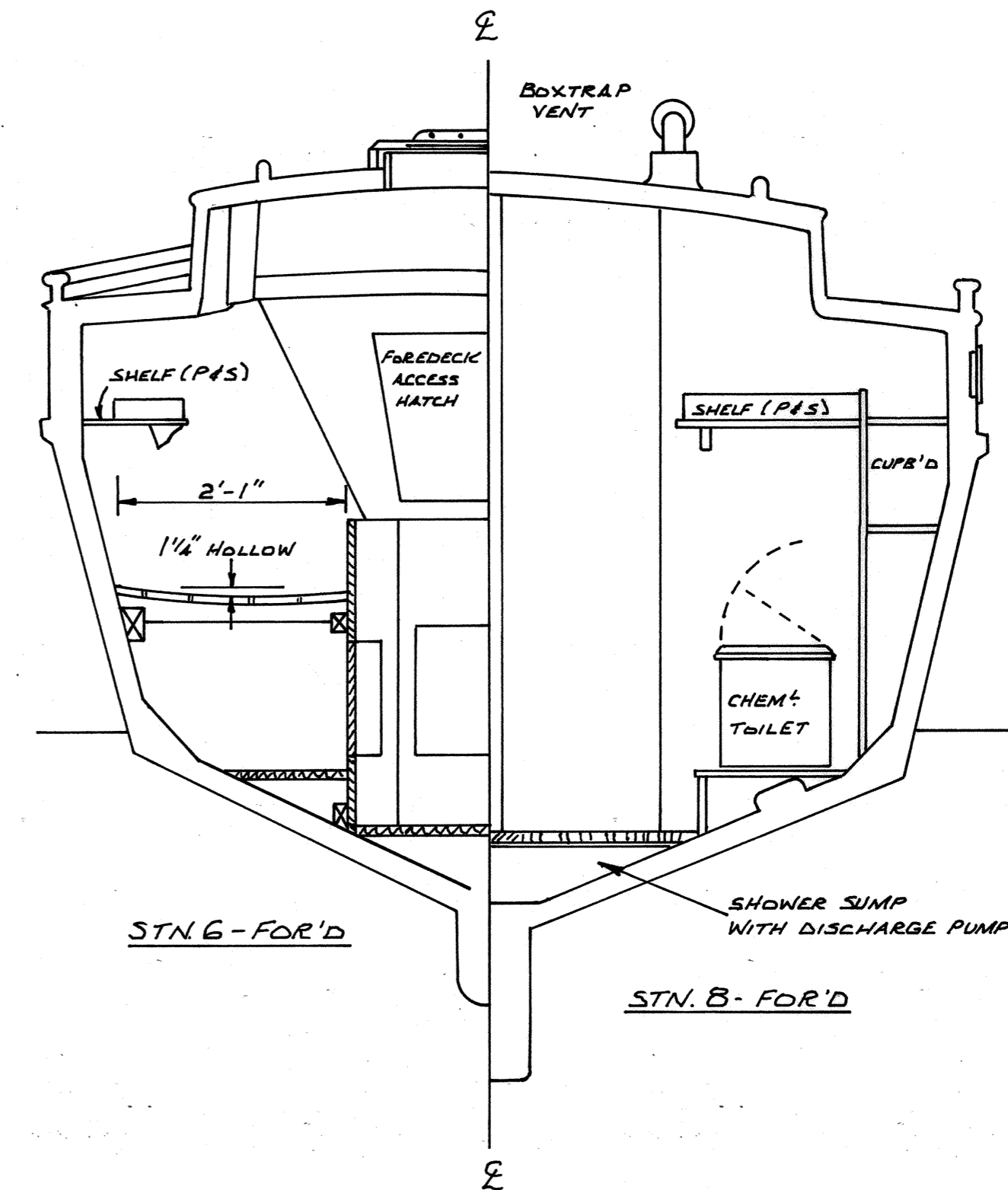
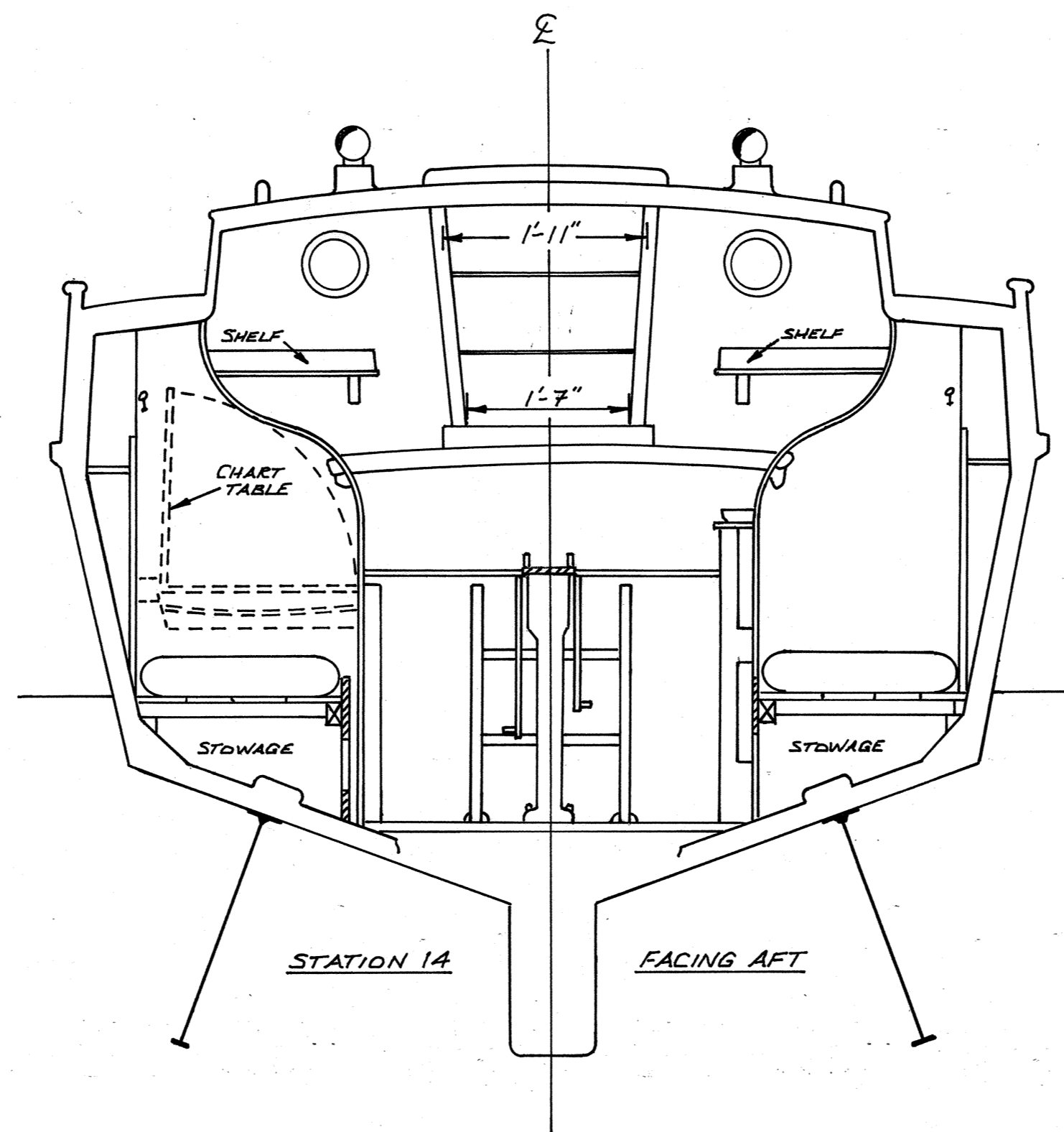
SCALE 1:4



Box TRAP (DORADE TYPE) DECK VENTILATOR



DESIGN FOR 3" (76mm) COWL: ALL MEASUREMENTS TO BE IN PROPORTION FOR LARGER SIZES IN STEEL OR ALUMINIUM



- RIPTIDE 31 -
- SHEET 3 -

COPYRIGHT OF MAURICE GRIFFITHS WEST MERSEA ESSEX ENGLAND

- DETAILS
- 1) MAIN HATCH SLIDE AND HATCH COVER
 - 2) MG TYPE DOUBLE COAMING NON-LEAK FOREHATCH
 - 3) BOX TRAP (DORADE TYPE) DECK VENTILATOR
- A) SECTION THROUGH STATION 6, B: 22 FORWARD & STATION 14 FACING AFT OF 210/R (31'-9") (#209 NOONTIDE 32)

