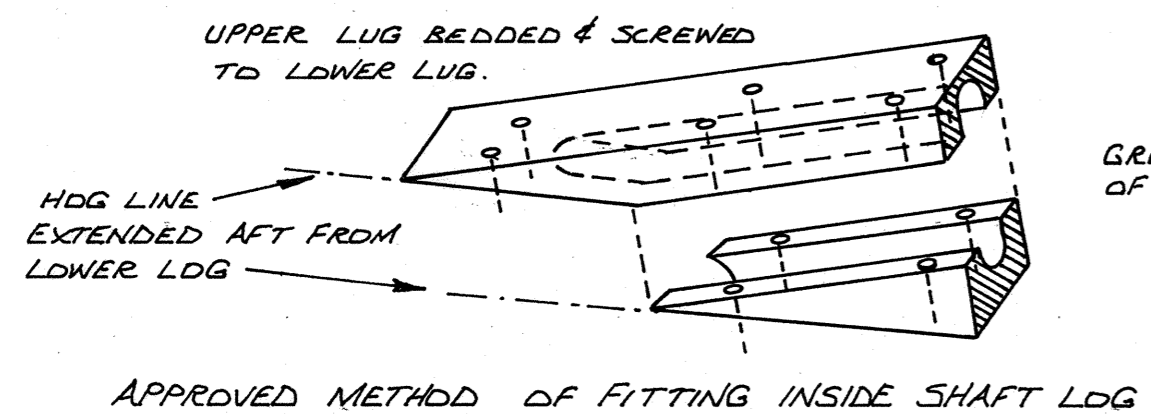
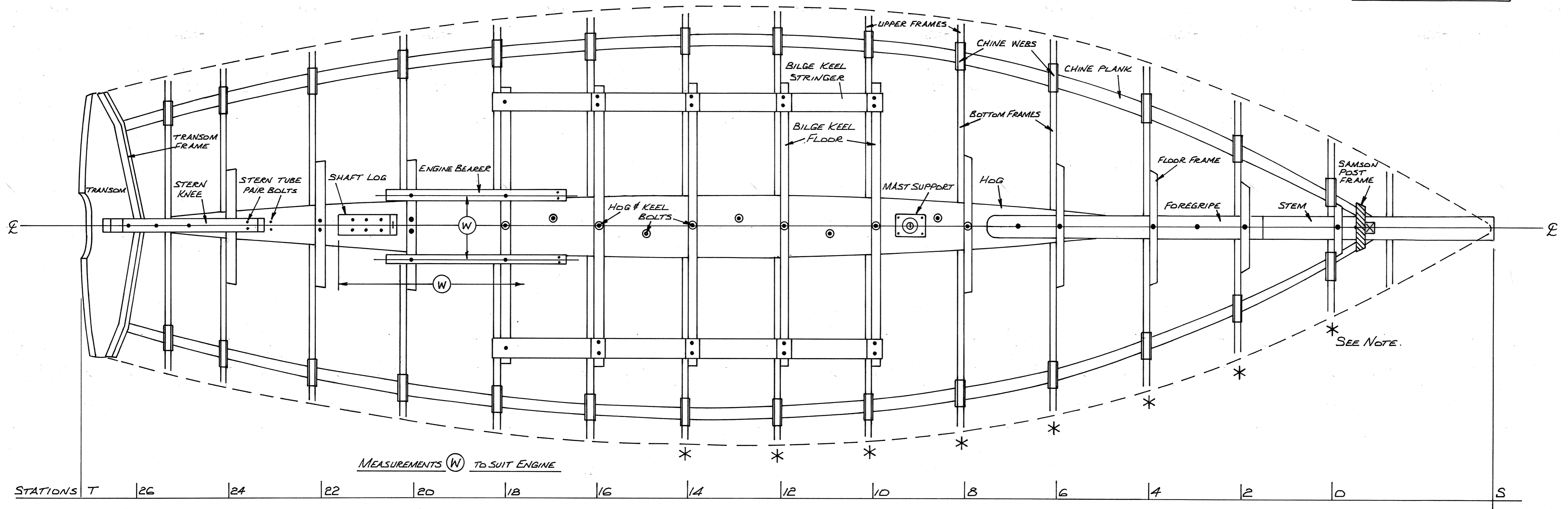
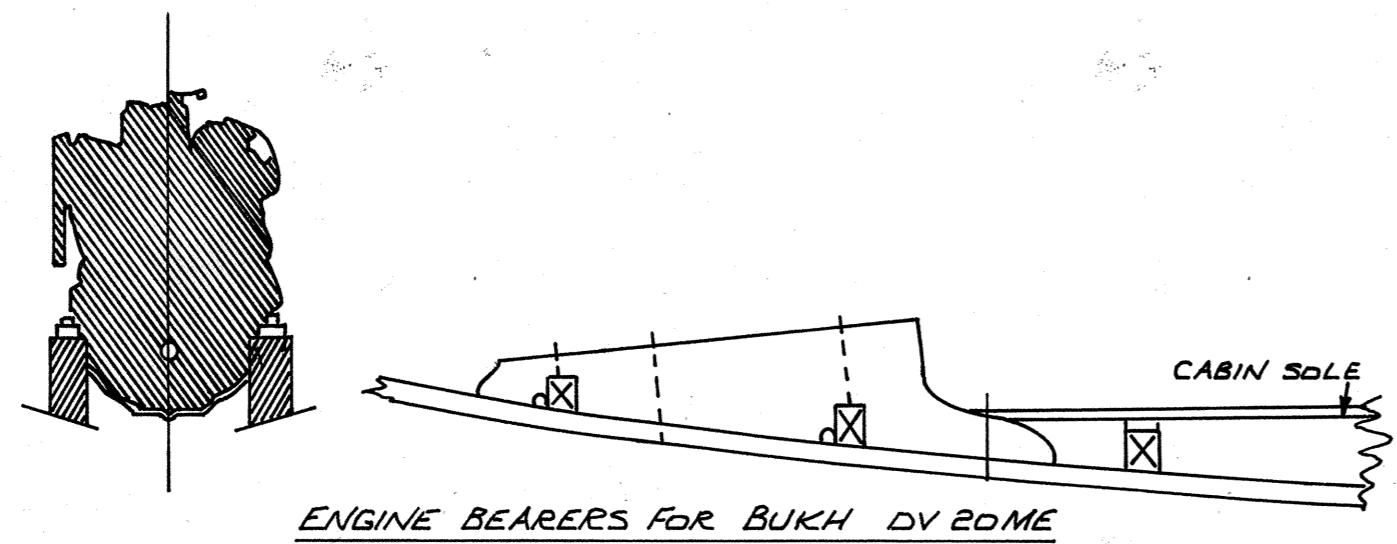
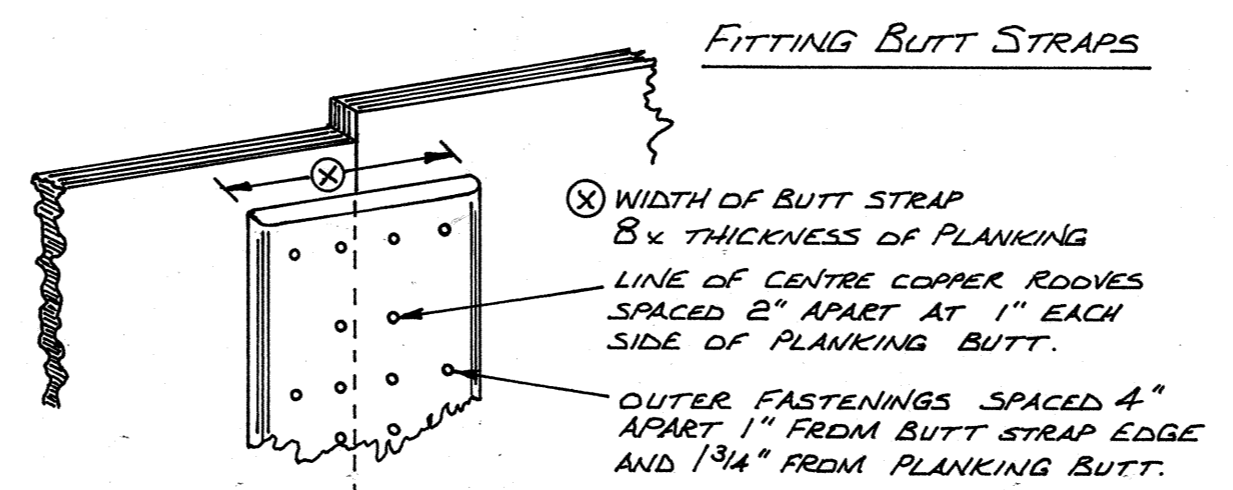


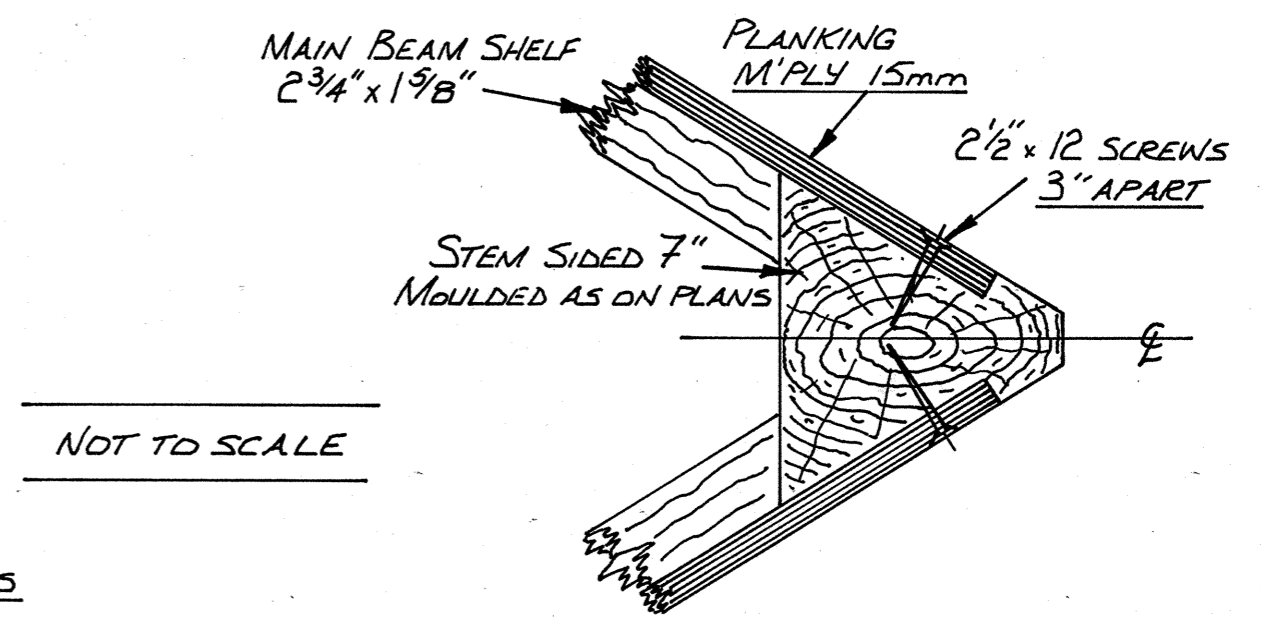
SCALE OF THIS PLAN 3/4" TO 1'-0" (1:16)



*NOTE. ALL FRAMES FORWARD AND INC. STATION 14 SHOULD BE ON THE FORWARD SIDE OF THE STATION LINE, 16 AND AFT ARE CORRECTLY SHOWN. JW 9.1.87



FIT BUTT STRAPS TO ALL PLYWOOD PANELS BETWEEN FRAMES, OR WITH ONE EDGE HARD AGAINST SIDE OF FRAME



AMBT. STATION POSITIONS SEE NOTE JW 9.1.87