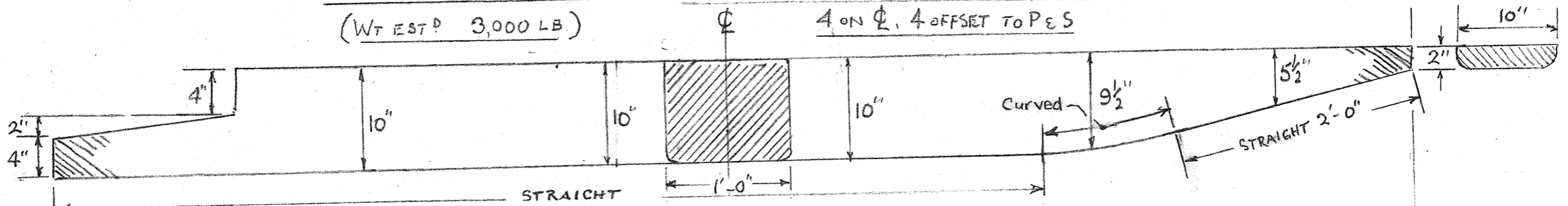


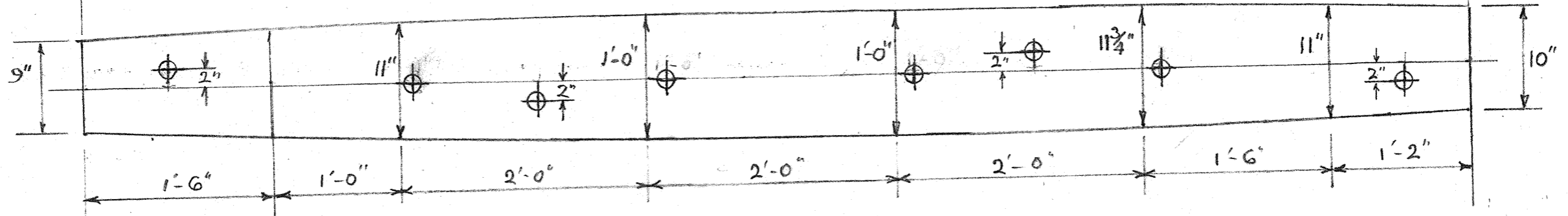
CAST IRON BALLAST KEEL
(WT ESTD 3,000 LB)

HOLES FOR 8 IN NO 3/4" DIA. WROT. IRON OR MS BOLTS
4 ON Φ , 4 OFFSET TO P & S

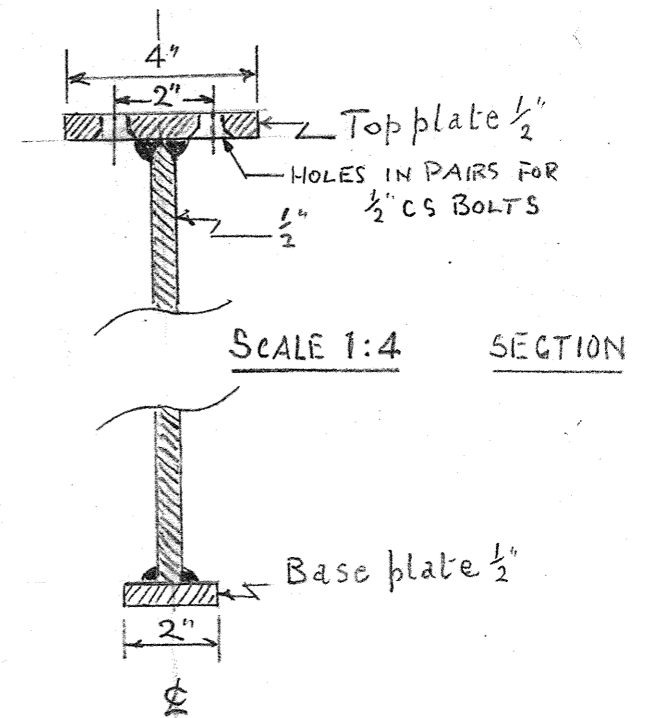
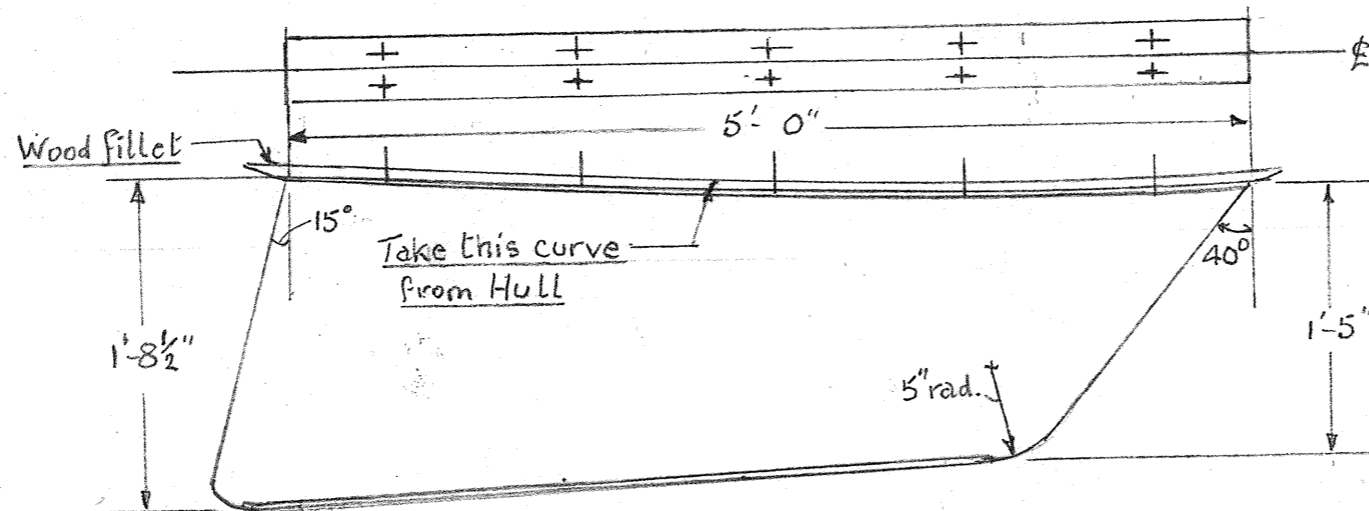
ELEVATION



PLAN



SCALE 1:12



BILGE KEEL (2 OFF) 1/2" (12mm) MS PLATE, GALVD. AFTER WELDING
TOP PLATE CURVED TO YACHT'S HULL & FITTED
TO HARDWOOD FILLET FINED OFF AT BOTH ENDS.
TOP PLATE BORED FOR 10 MS 1/2" DIA. CS BOLTS IN PAIRS