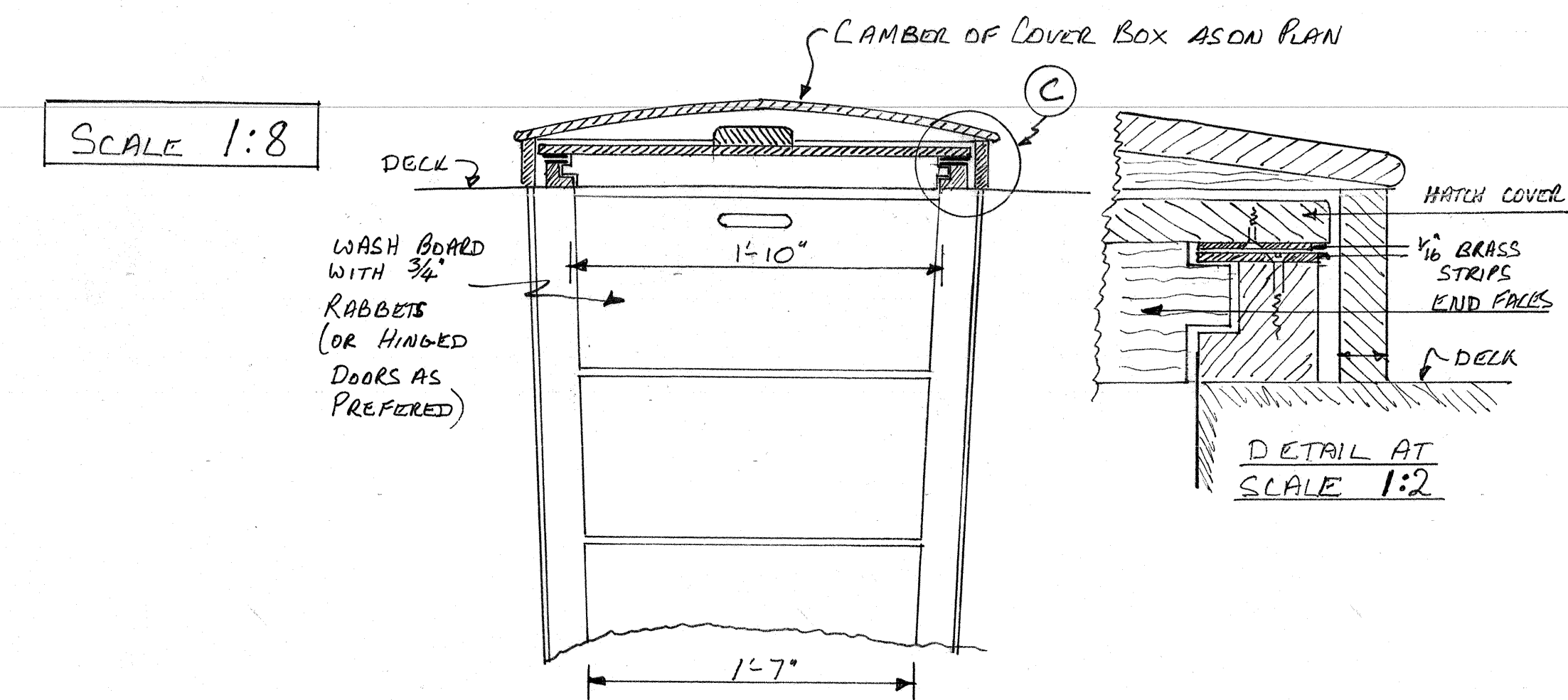
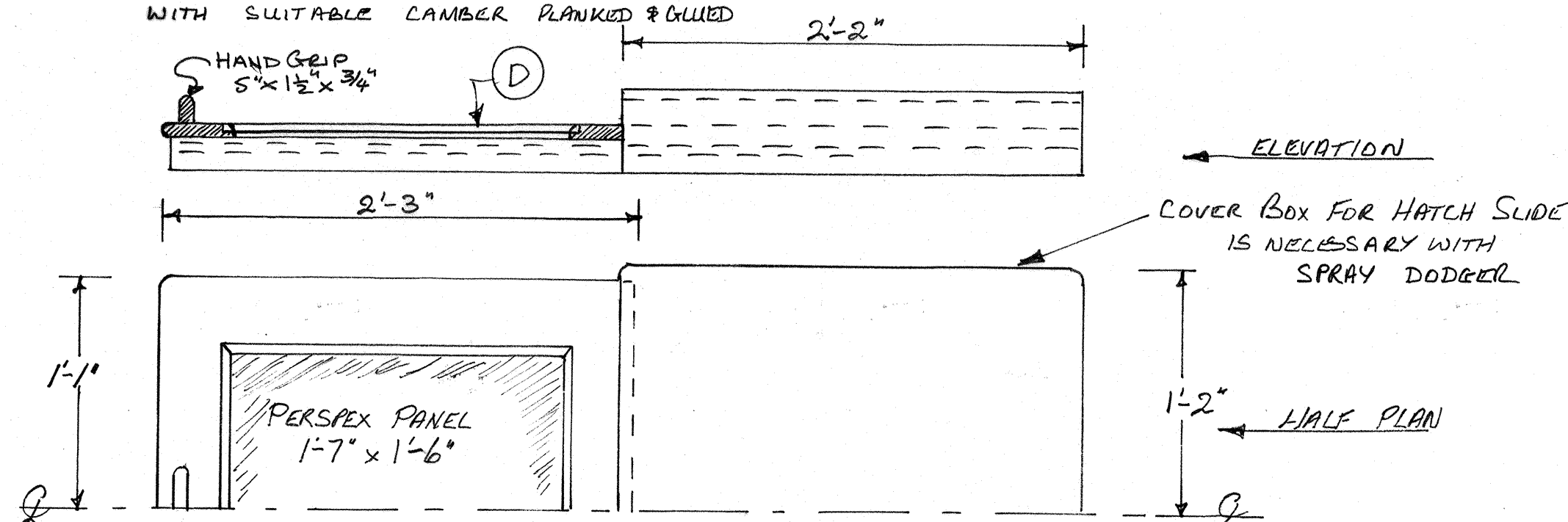
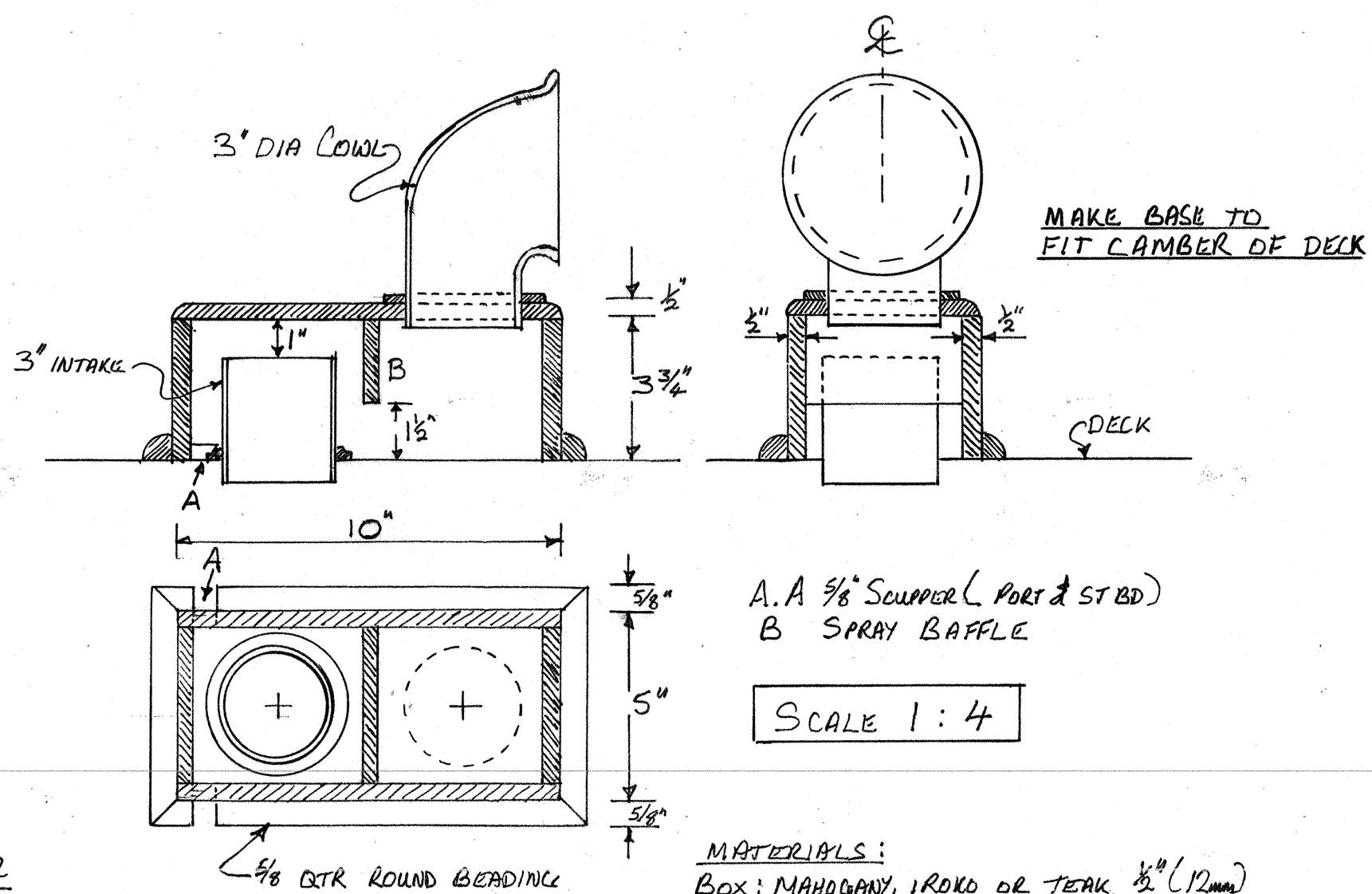


DESIGN FOR MAIN HATCH SLIDE AND HATCH COVER

NOTE (D) WHERE TRANSPARENT/LUCENT PANEL IS NOT REQUIRED, HATCH COVER SHOULD BE MADE WITH SUITABLE CAMBER PLANKED & GULLED



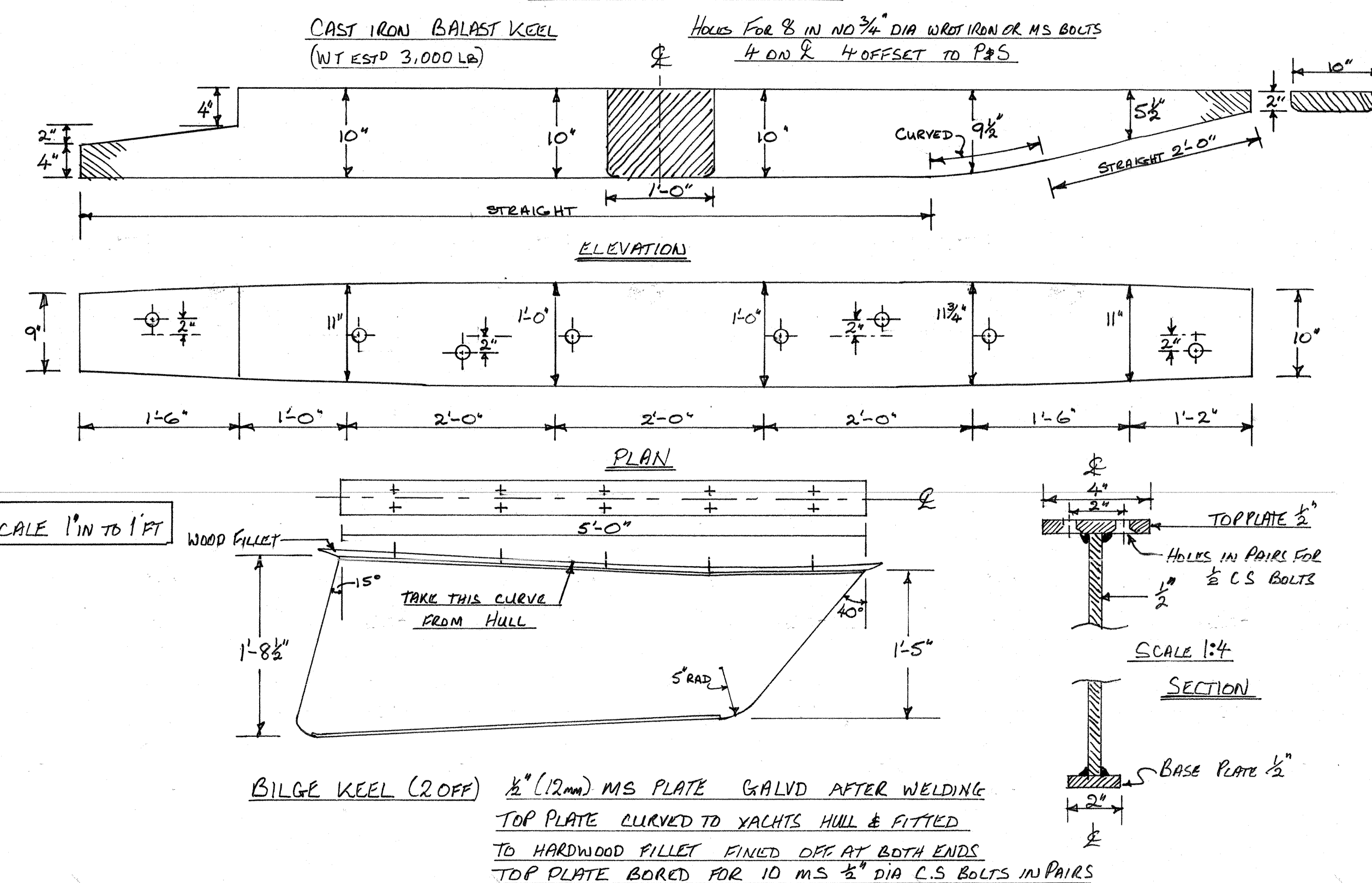
Box TRAP (DORADE TYPE) DECK VENTILATOR



DESIGN FOR 3" (76mm) COWL: ALL MEASUREMENTS TO B IN PROPORTION FOR LARGER SIZES IN STEEL OR ALUMINIUM

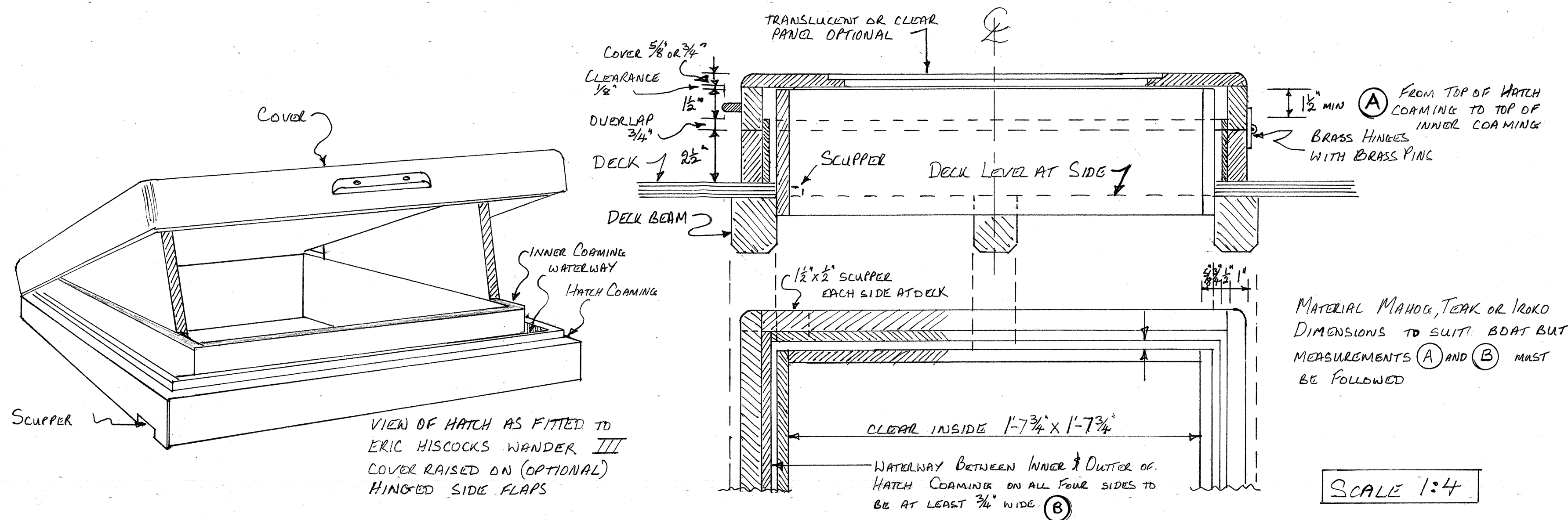
MATERIALS:
Box: MAHOGANY, IRON OR TEAK 1/2" (12mm)
COWL: FLEX OR BRASS (COMMERCIAL)
INTAKE: BRASS OR G1 PIPE LIGHT GAUGE

STORM CLASS 26FT BILGE KEEL SLOOP
BLAST & BILGE KEELS



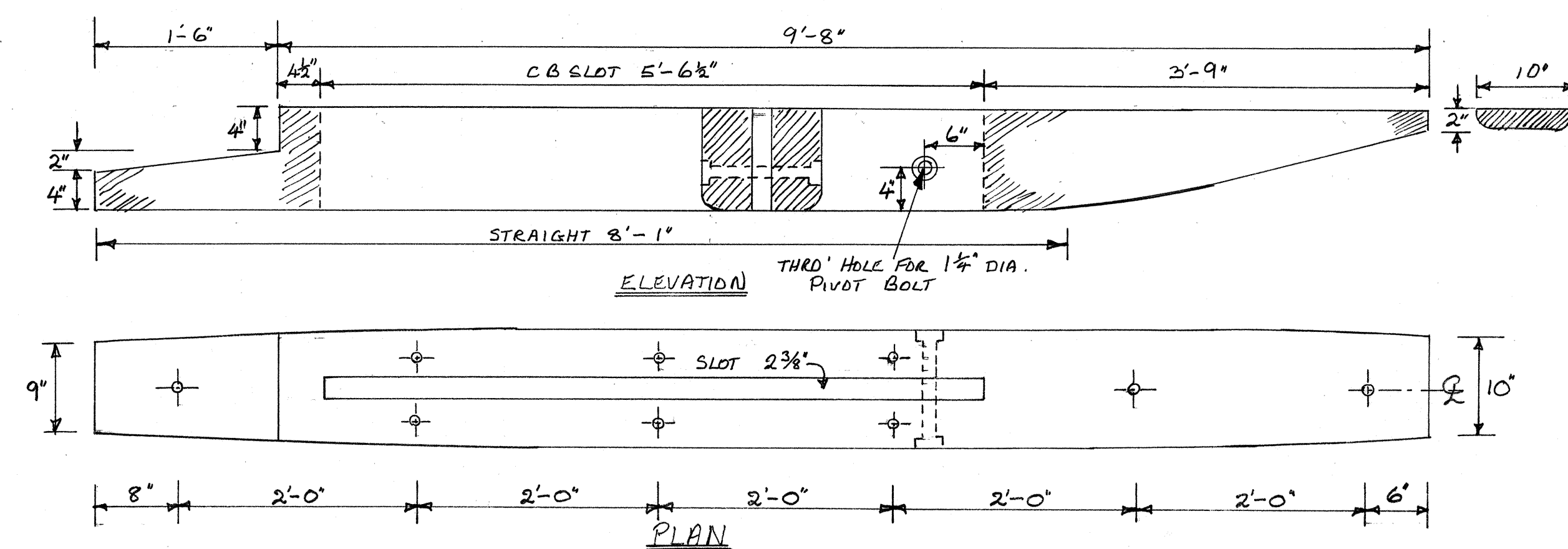
BILGE KEEL (2 OFF) 1/2" (12mm) MS PLATE GALVD AFTER WELDING
TOP PLATE CURVED TO YACHTS HULL & FITTED TO HARDWOOD FILLET FINED OFF AT BOTH ENDS
TOP PLATE BORED FOR 10 MS 1/2" DIA C.S BOLTS IN PAIRS

DESIGN FOR MG TYPE DOUBLE COAMING
NON LEAK FORE HATCH



MATERIAL MAHOG, TEAK OR IRON
DIMENSIONS TO SUIT BOAT BUT MEASUREMENTS (A) AND (B) MUST BE FOLLOWED

STORM CLASS 26FT CENTREBOARD SLOOP/CUTTER
IRON BALLAST KEEL



IRON BALLAST KEEL "FOR 2" LAMINATED" CENTRE BOARD
KEEL BOLTS: 9 @ 3/4" DIA WROT IRON OR MS, SPACED 2'-0" CENTRES
3 ON CENTRELING 6 OFFSET 3 3/4" P & S AT CB SLOT
KEEL WEIGHT APPROX 2850 LBS + CB 170 LBS (REF SHEET 6)