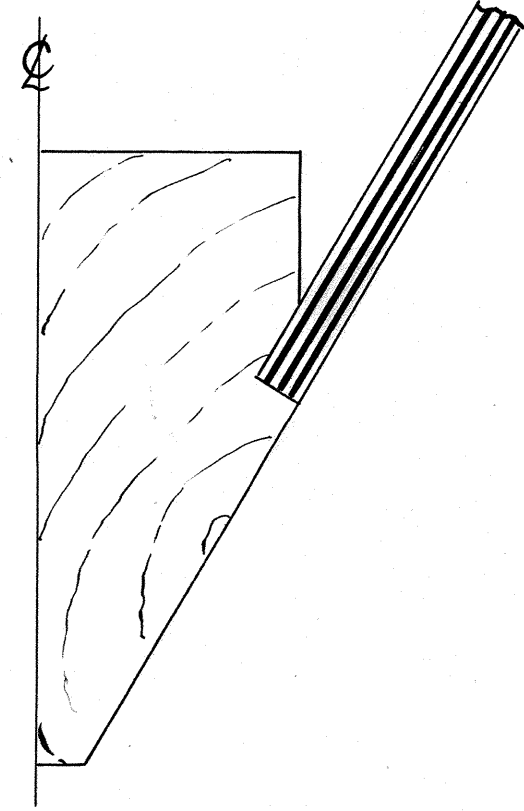
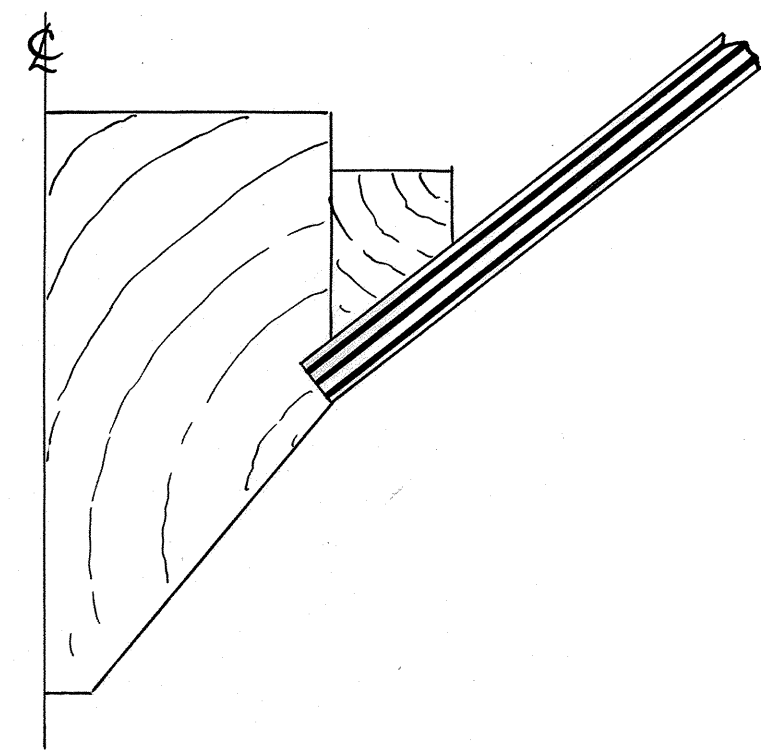


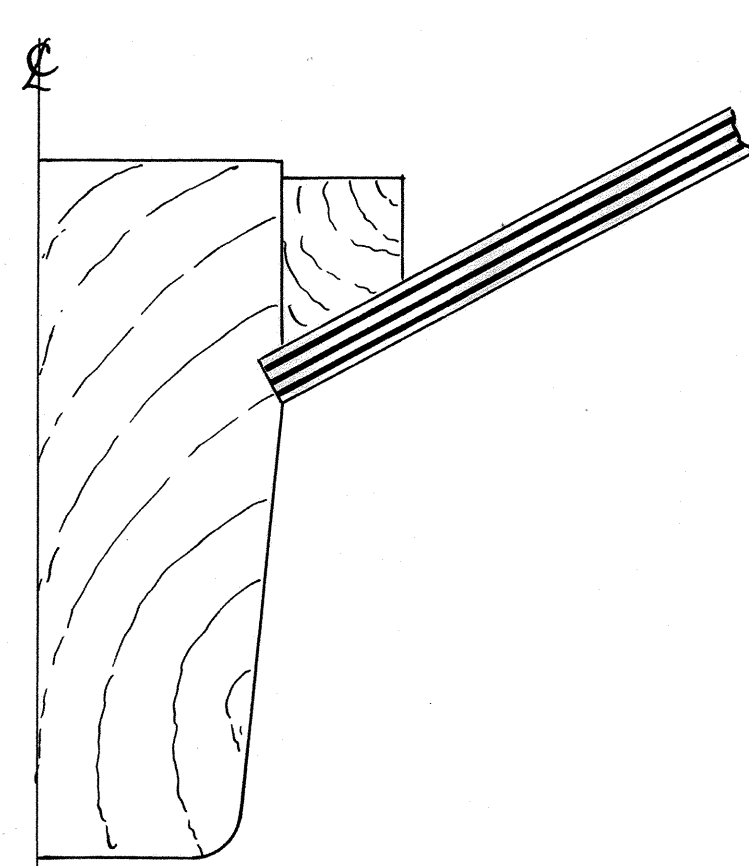
Station 0



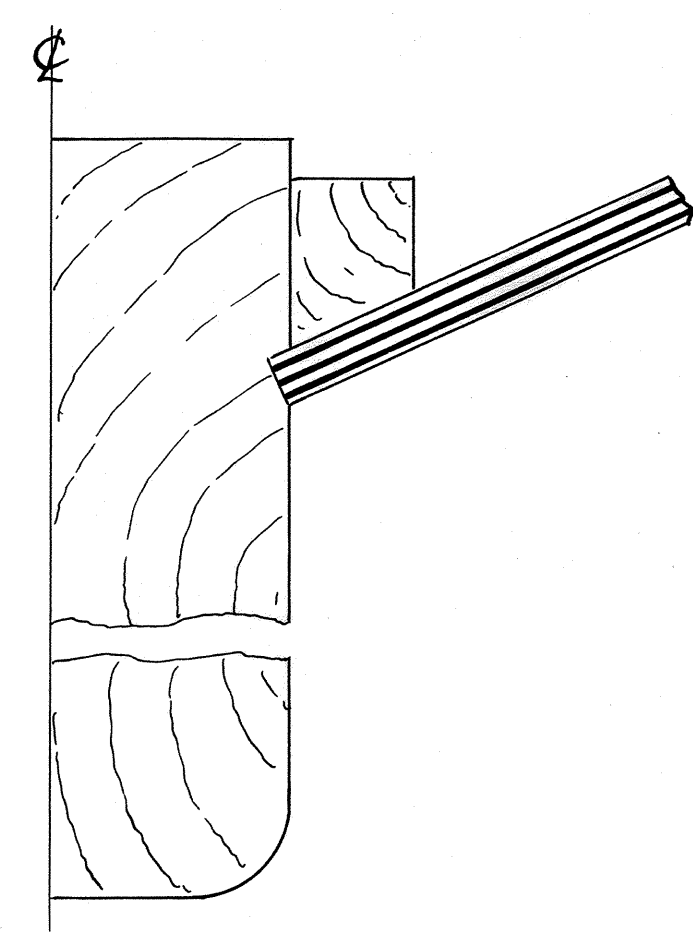
Station 1



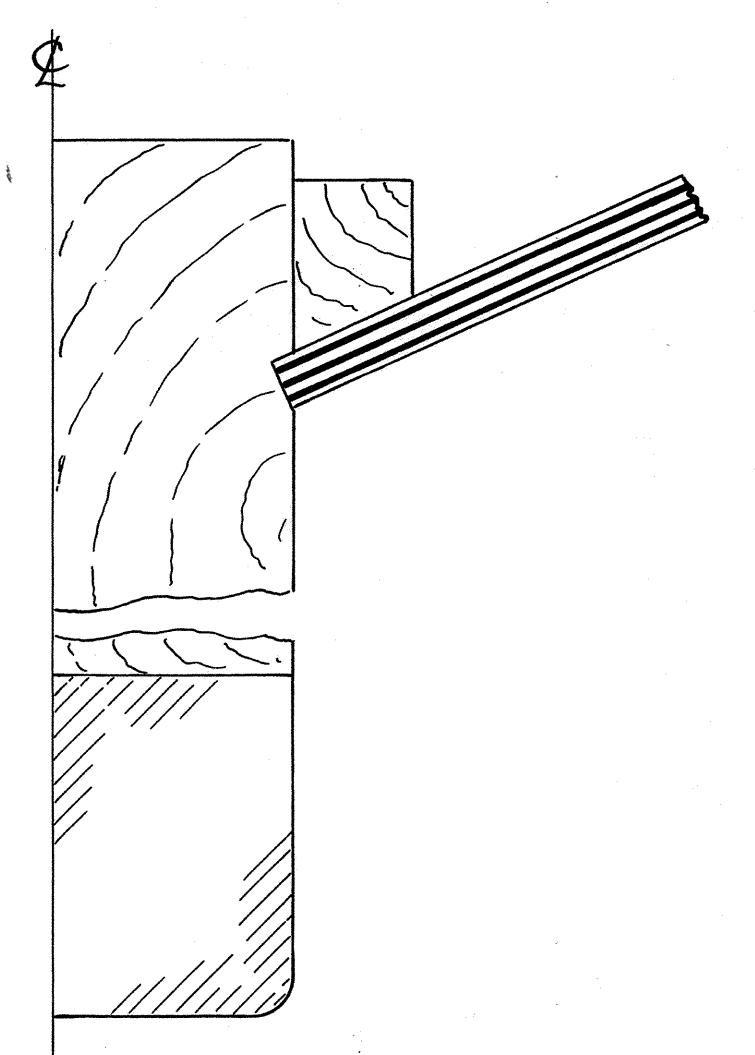
Station 2



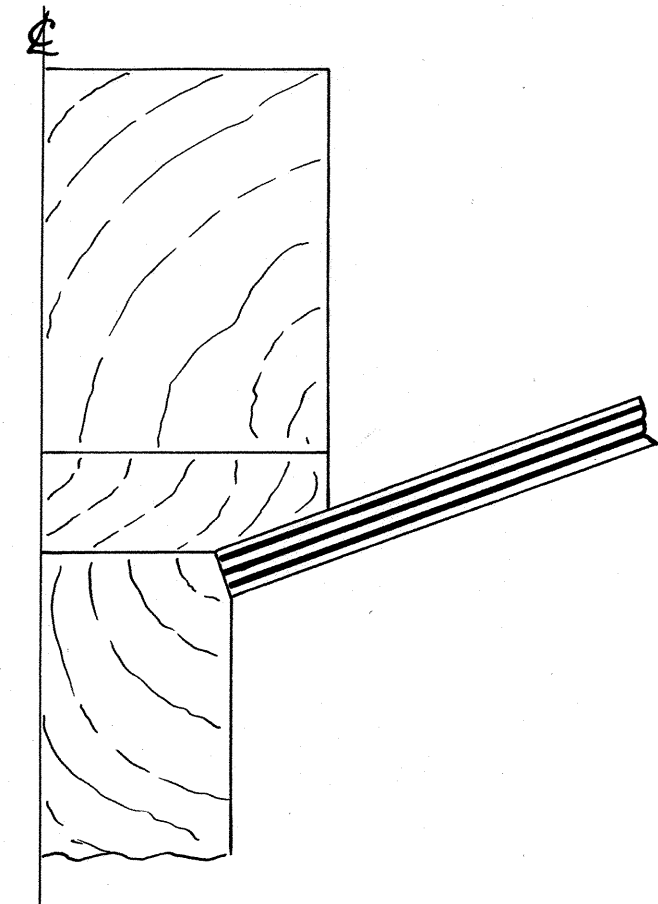
Station 3



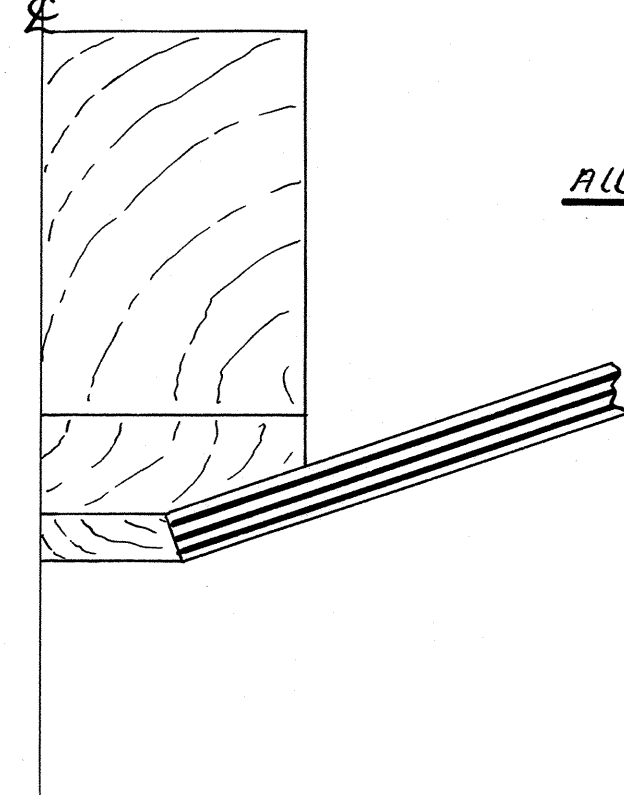
Station 4



Station 8

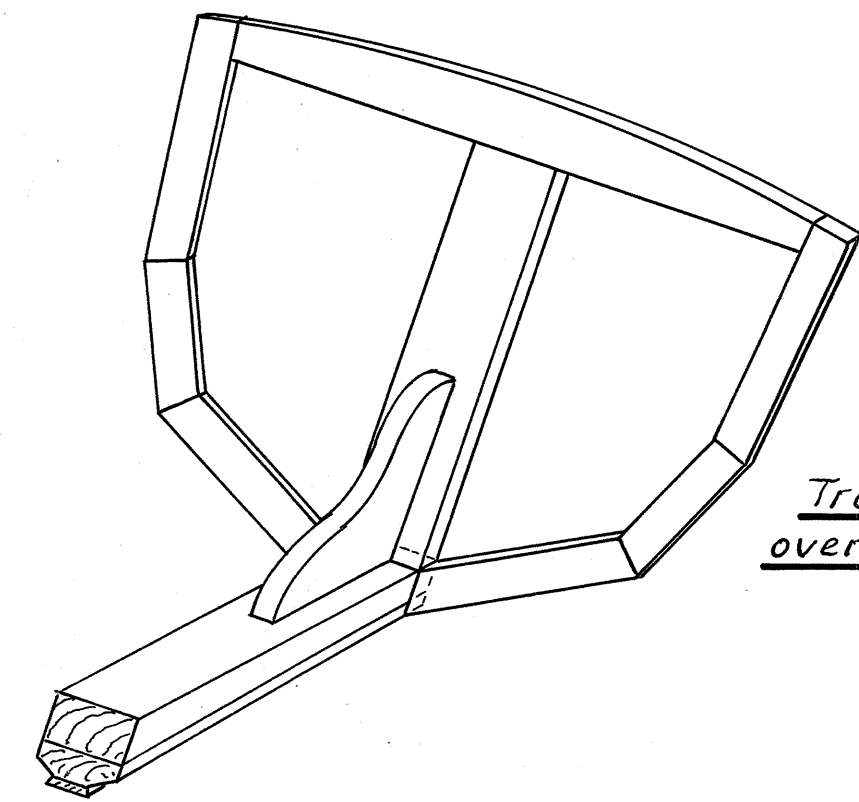
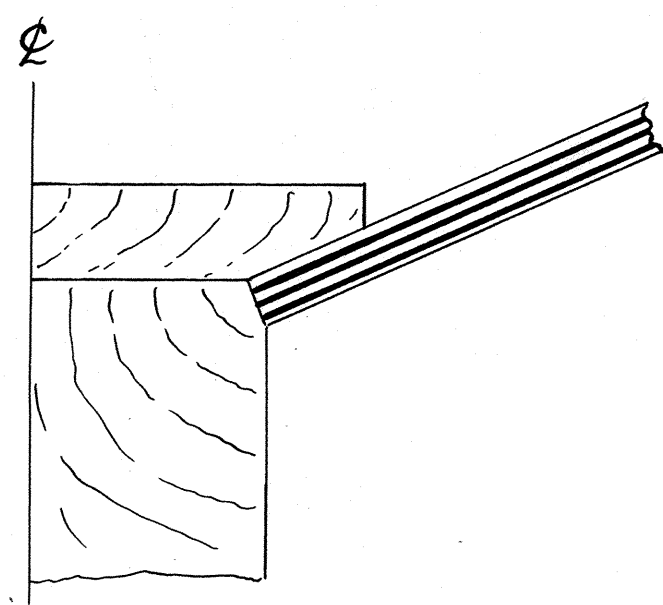


Stations 9+10



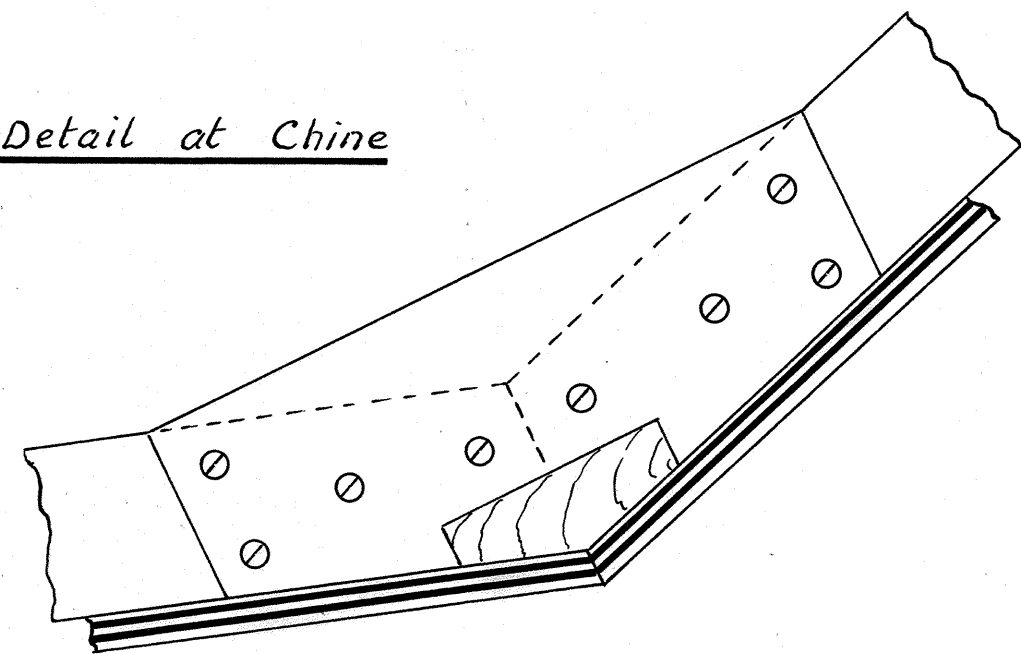
All sections: Half full size

Stations 5,6+7

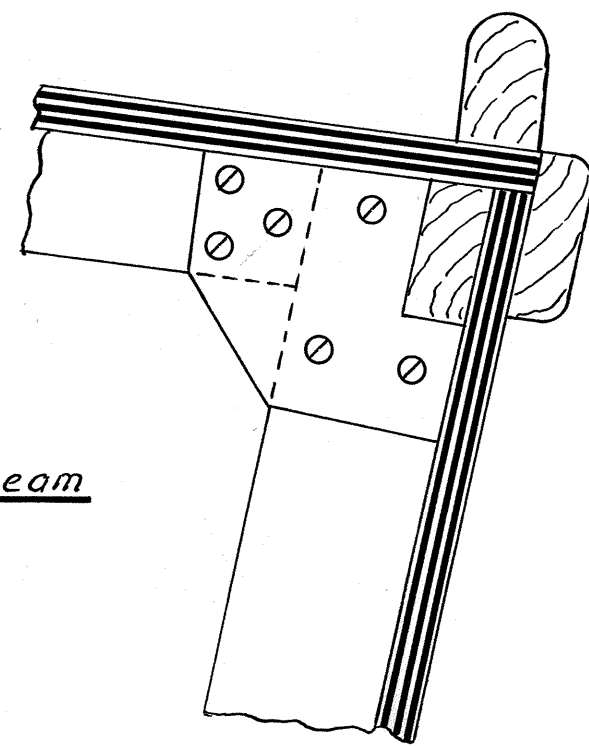


Transom frame sits over horn timber

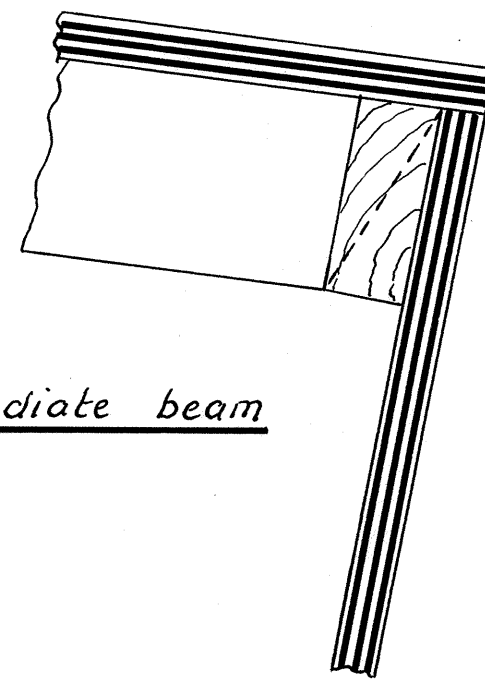
Detail at Chine



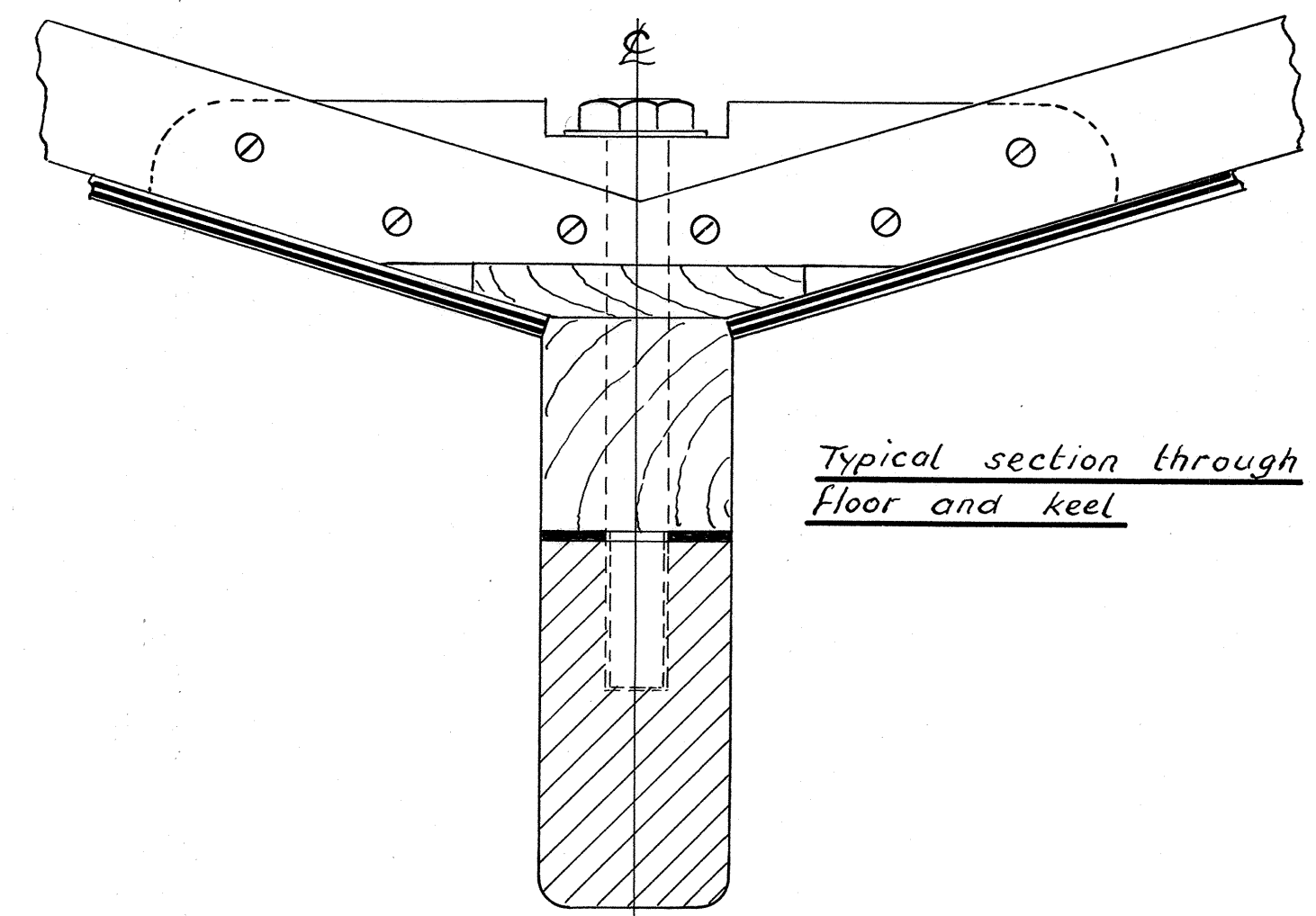
Detail: main beam to frame



Intermediate beam

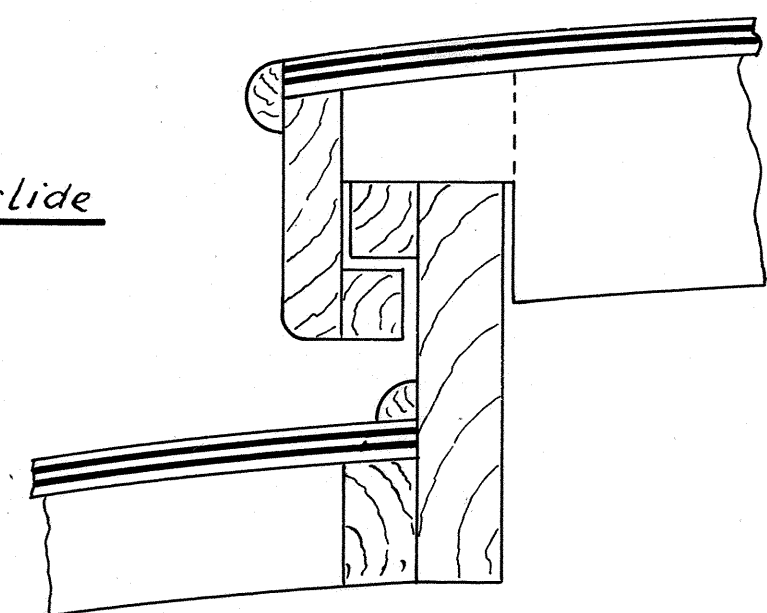


Not to scale

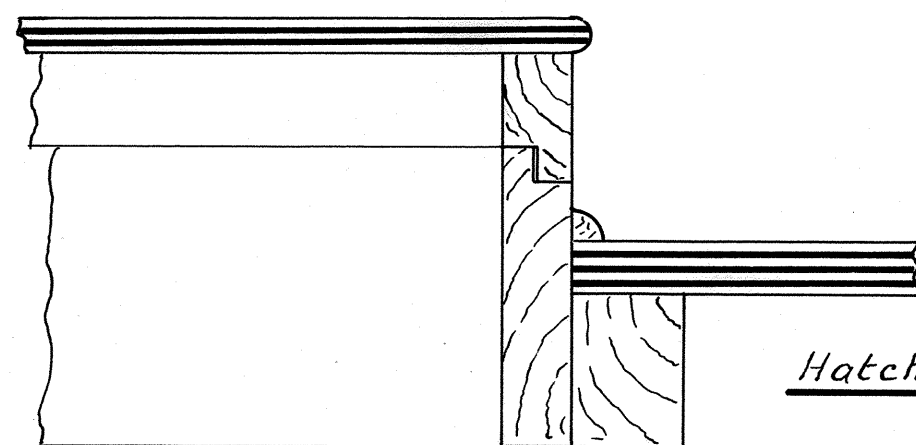


Typical section through floor and keel

Main hatch slide



Hatch detail



GOOSANDER 27  
CONSTRUCTION DETAILS

C.J. FARGGETTER  
SCALES: HALF FULL SIZE  
DATE: 22-11-73  
DRG. N° 4