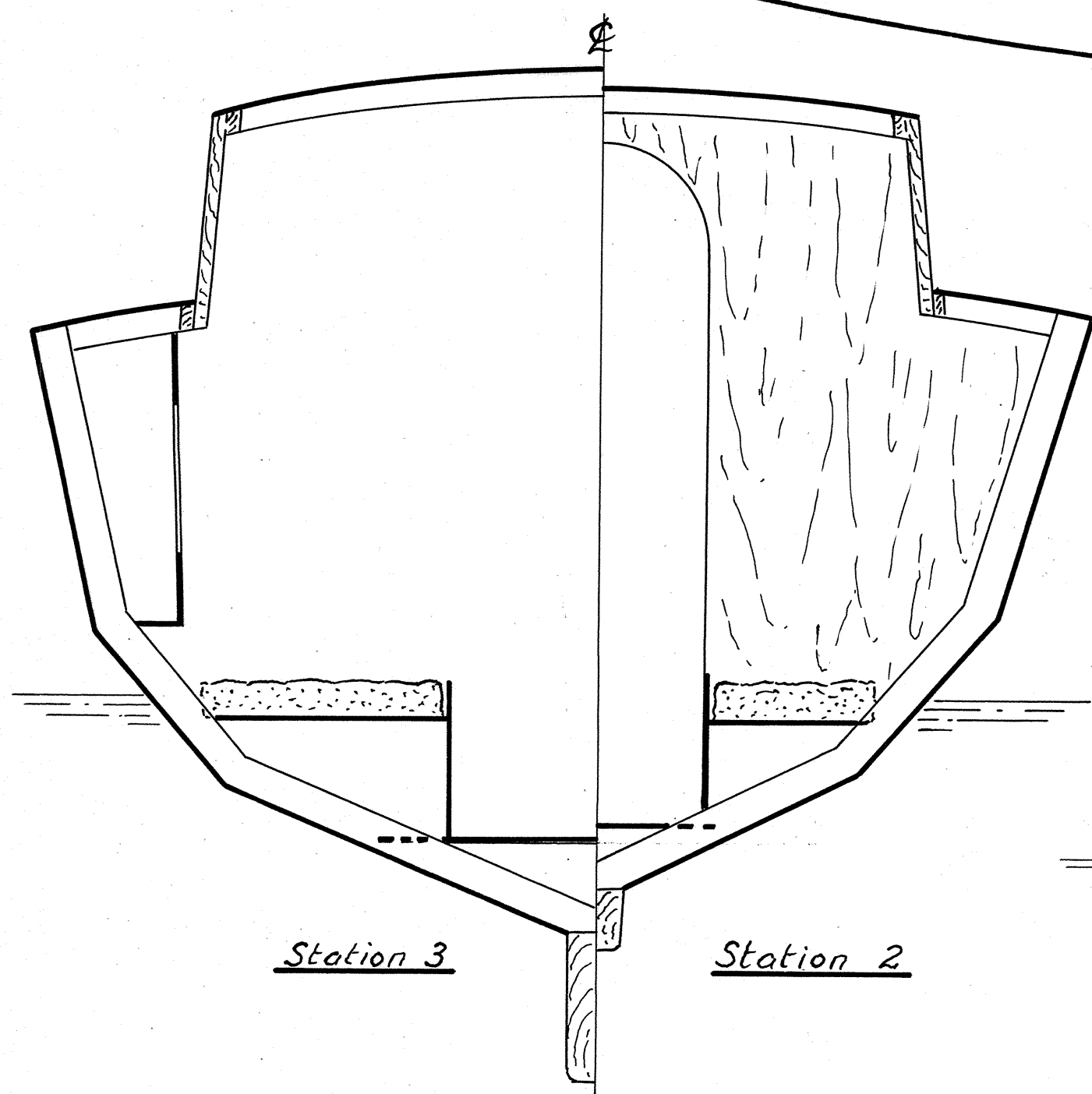
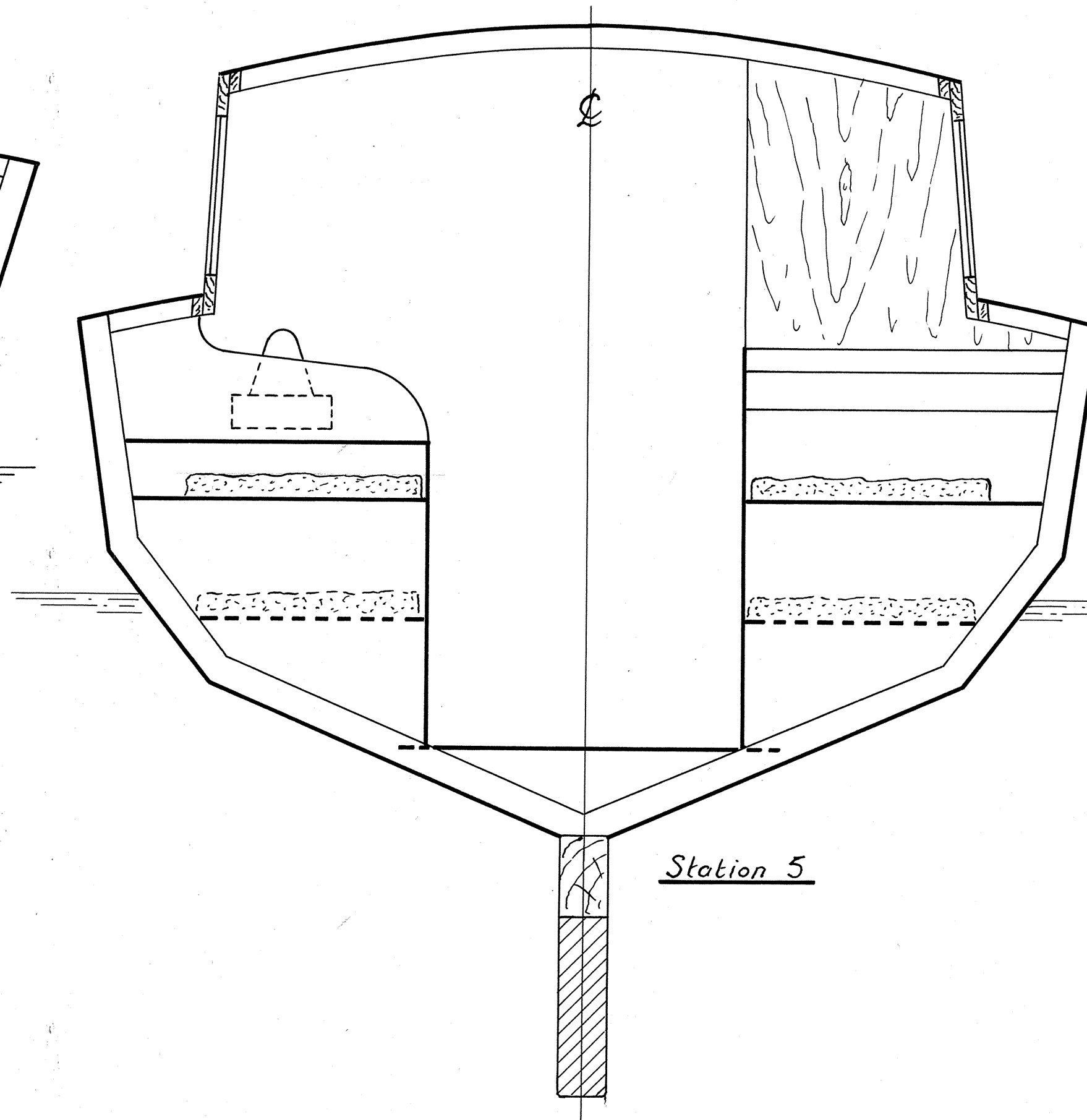


Station 1

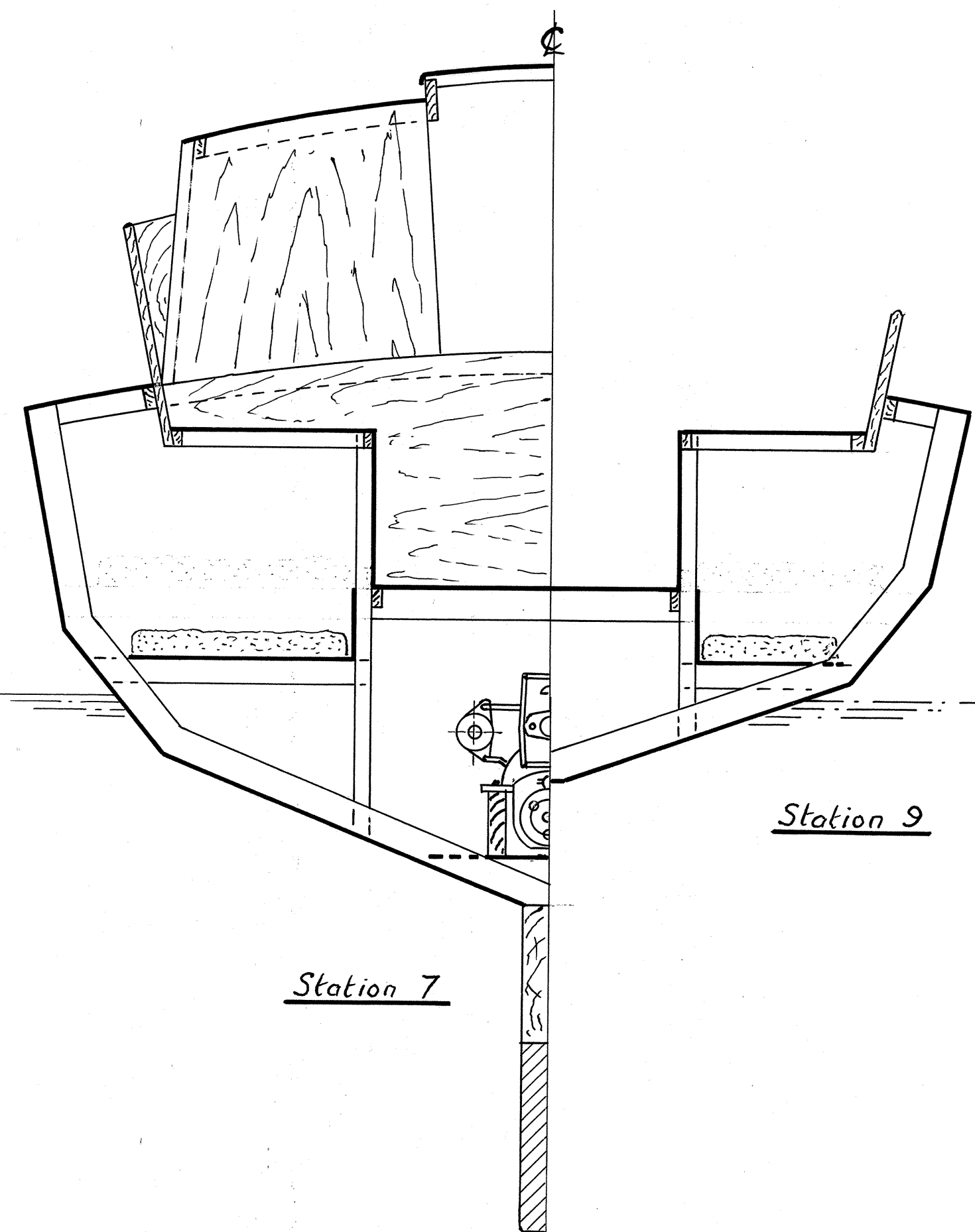


Station 3

Station 2



Station 5



Station 7

Station 9

NOTE: Quarter berths shown in Station 5  
should be dropped 7" as Stations 7 and 9

GOOSANDER 27  
ACCOMMODATION PLAN  
AND SECTIONS

C. J. FAGGETTER  
SCALES: 3/4" to 1 ft., 1" to 1 ft.  
DATE: 1-12-73  
DRG N° 6