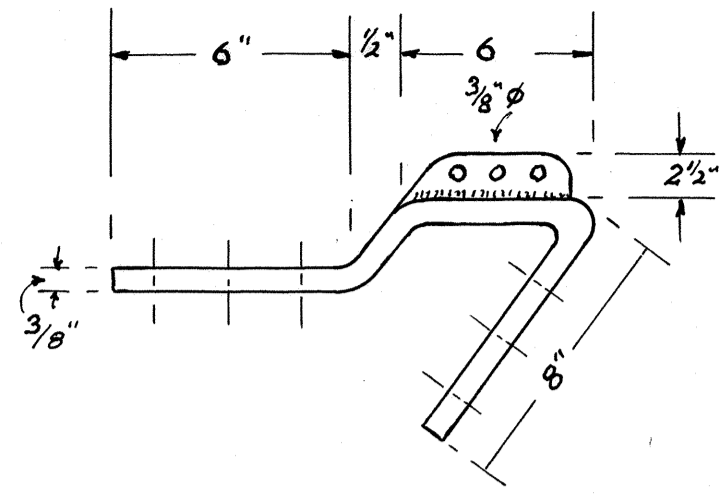
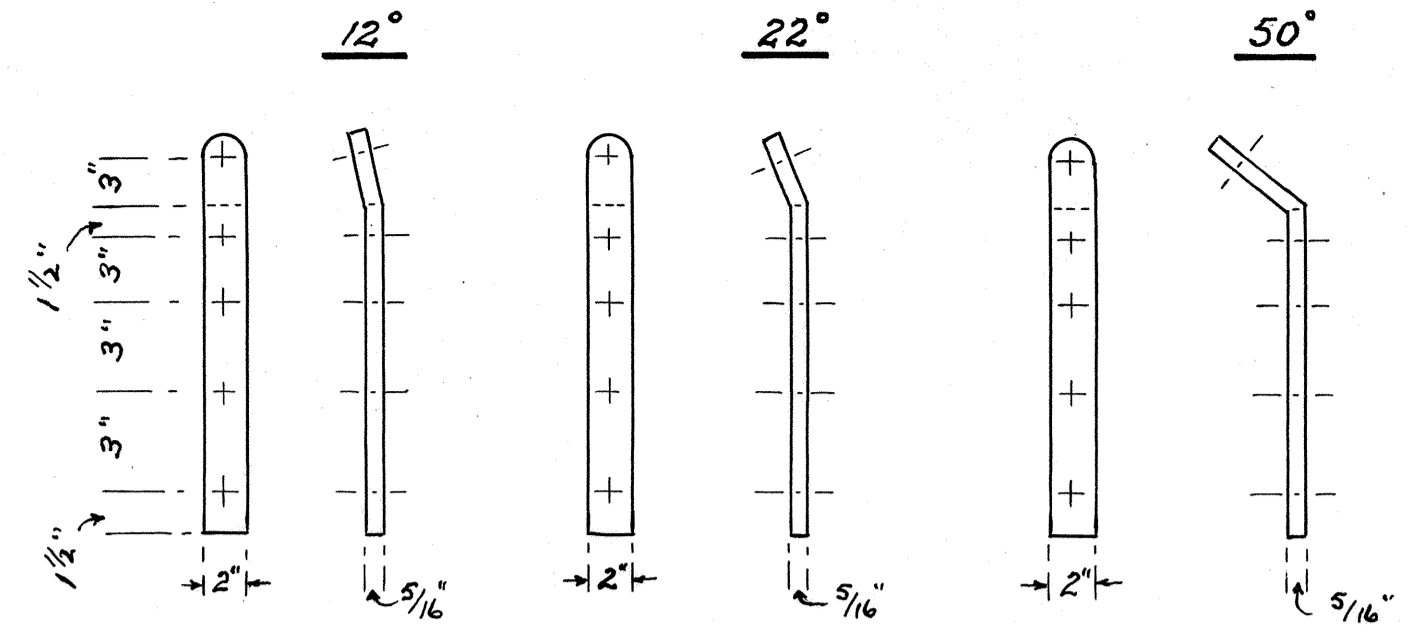
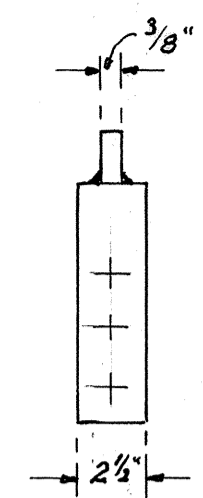


Keel: Cast Iron 2,400 lbs.
Scales 1" to 1 ft

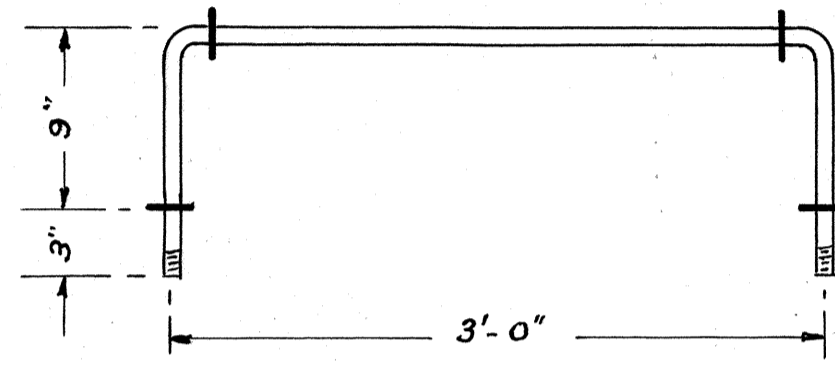
Drilled and tapped
5" x 1" B.S.W.



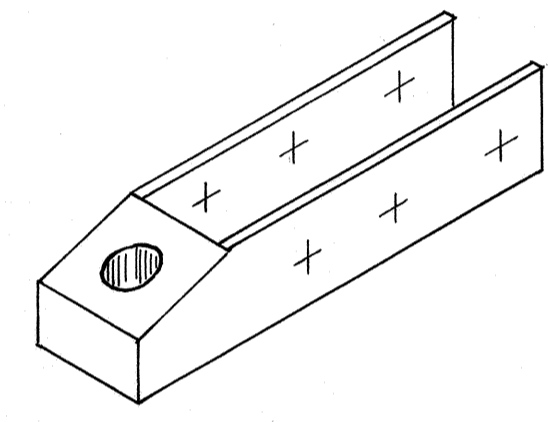
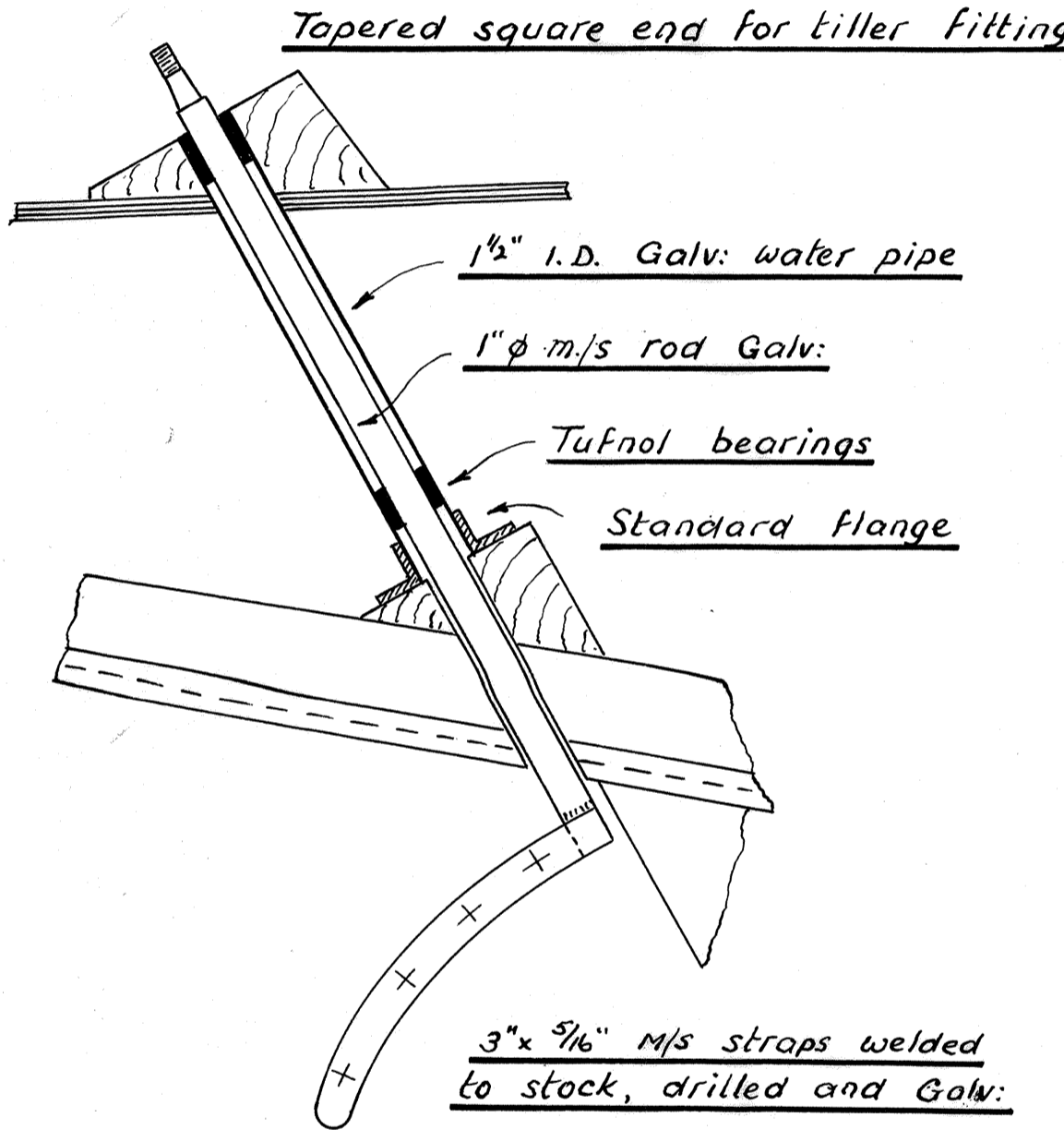
Stemhead fitting
mild steel: Galvanised



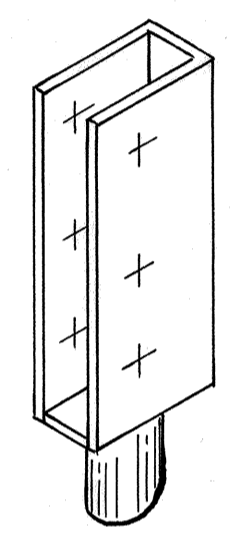
Chainplates mild steel: Galv.
All holes 3/8" square to take coach bolts



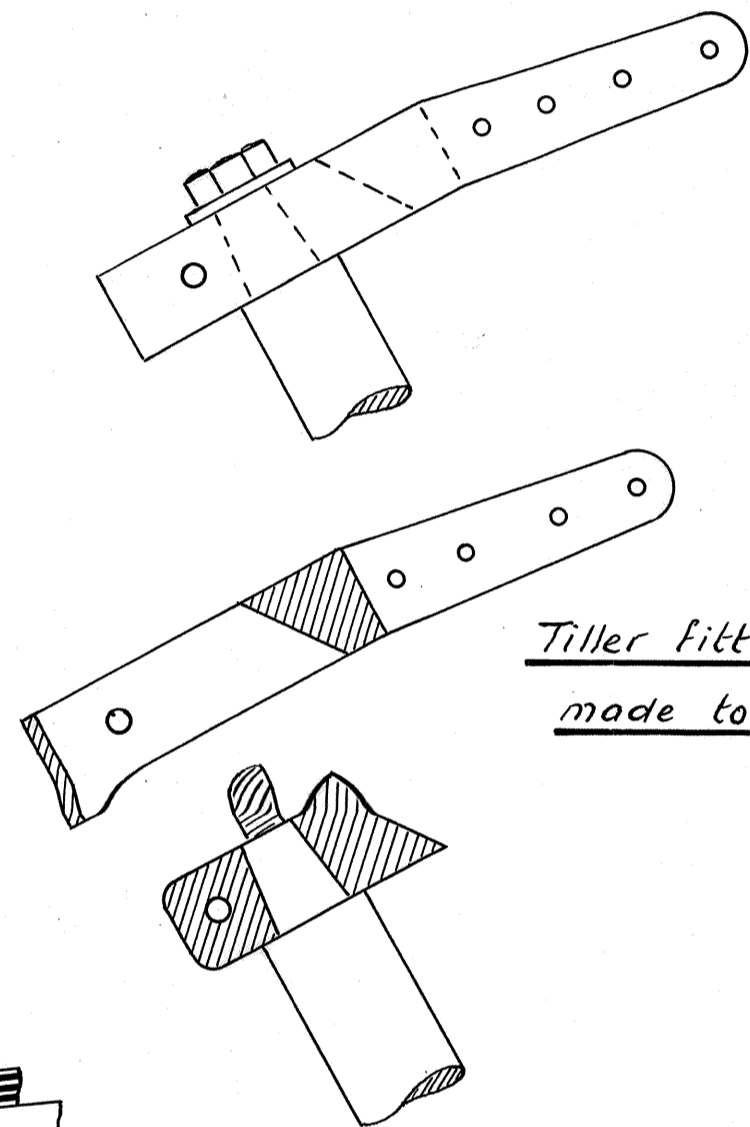
Sheet horse 5/8" phi M.S. rod. Galv.



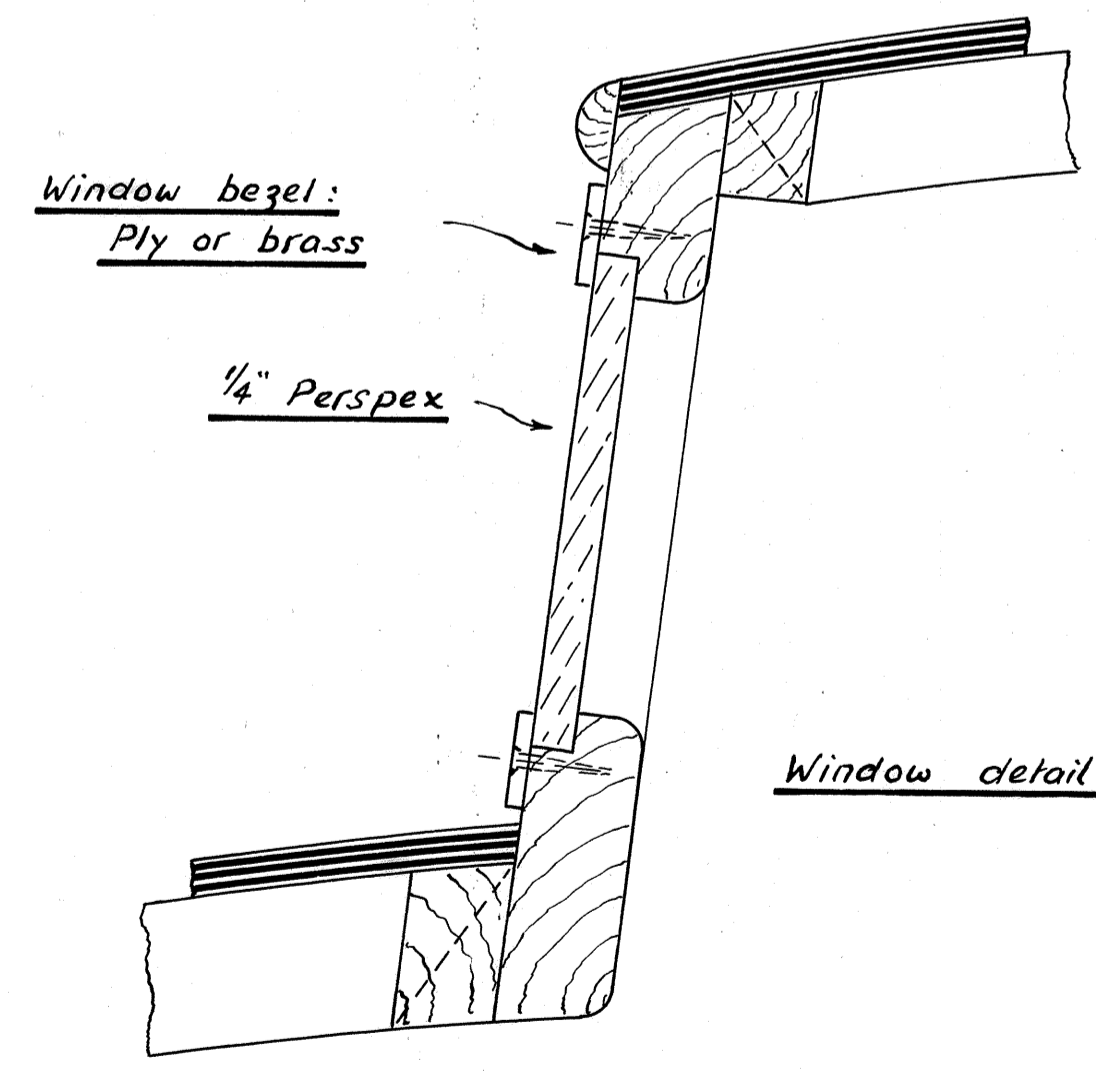
Sternpost shoe
M/S Galv.



Lower rudder fitting:
Rudder 1" thick
M/S Galv.



Tiller fitting. M/s Galv.
made to suit



Window detail

N° OFF	SUGGESTED STANDARD FITTINGS	CAT. N°
1	Chain pipe for 5/16" chain	1456-6
15	Fathoms 5/16" galv. chain	0587-3
1	20 lb. C.Q.R. anchor	0565-4
1	Pair handed 6" galv. fairleads	1420-7
1	Set C.Q.R. deck chocks	0572
1	Pair Navigation lights	1304
1	Stern light	1308-2
3	7/16" Galv. Rigging screws	1491-4
1	Pair winches (Barton)	0527-1
2	Fairleads 6" straight Galv.	1418-7
5	Plastic skin fittings 1 1/2"	0478-3
1	" " " 3/4"	0478-2
1	Sink and drainer	0380
1	Bilge Pump Gusher 10	0410-1
1	Whole Flipper pump Mk 3	0426
1	Toilet S-L 400	-
1	Seacock discharge 1 1/2"	0402
1	" Inlet 3/4"	0408-1
1	Interior light	1222-1
1	Chart light	1215-1-3
20 ft	1 1/2" Flexible pipe	2109-4
10 ft	3/4" " "	2109-1
9	S/S hose clips	0471-2
6	" " "	0471-0
2	2" Backflap brass hinges	1964-3
1	Safety hasp 4"	1973-4
6	Slip bolts	1927-1
2	Cabin hooks	1910-3
1	Flag socket	1468-2
1	Tannoy Ventair	1114
1	" Ventlite	1115
GRIPFAST NAILS		
12	Boxes 1" x 10 o/s	2875-1
4	" 1 1/4" x 10 "	2875-2
2	" 3/4" x 12 "	2877-1
3	" 1 1/2" x 10 "	2875-3
1	" 2" x 8 "	2873-3

Note: Standard fittings are Simpson-Lawrence

GOOSANDER 27
IRONWORK AND STANDARD
FITTINGS

C. J. FAGGETTER
SCALES:
DATE: DECEMBER 1973
DRG. N° 7