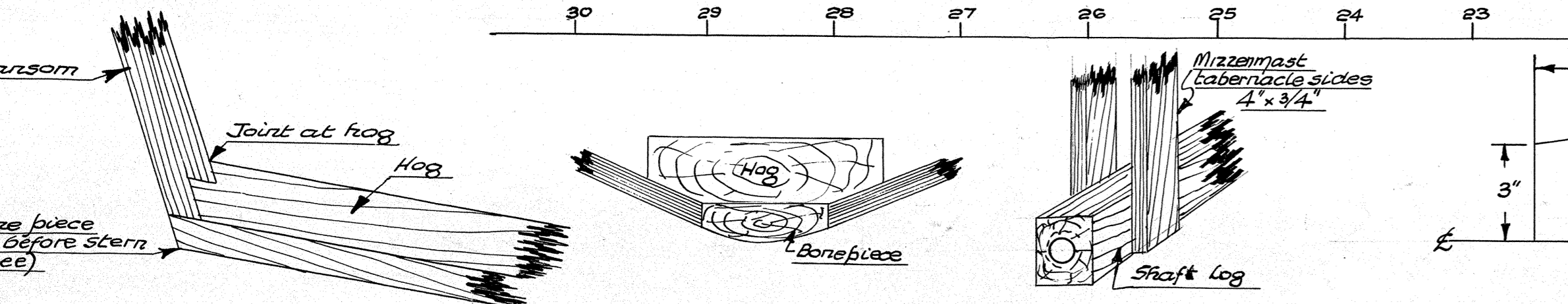
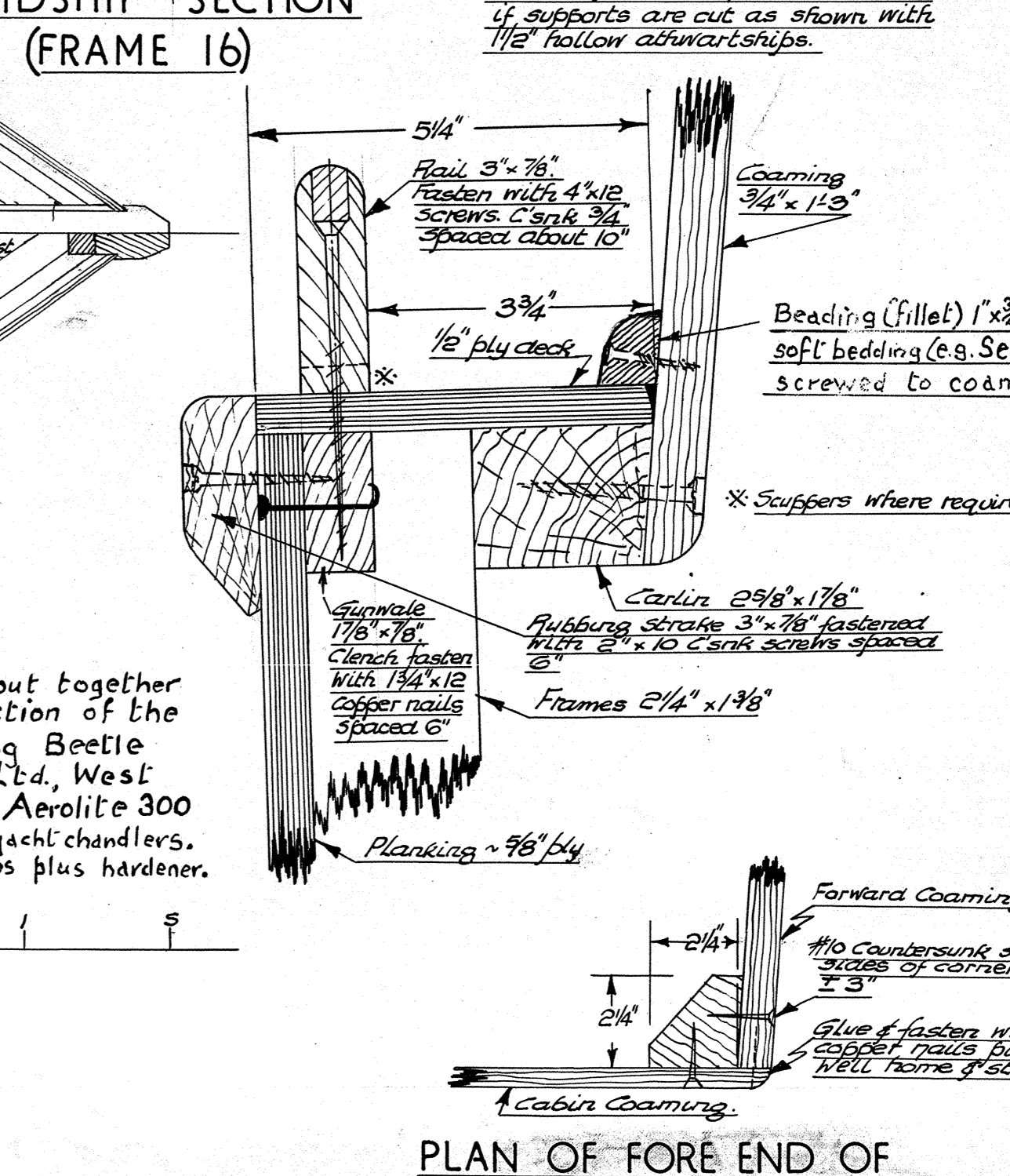
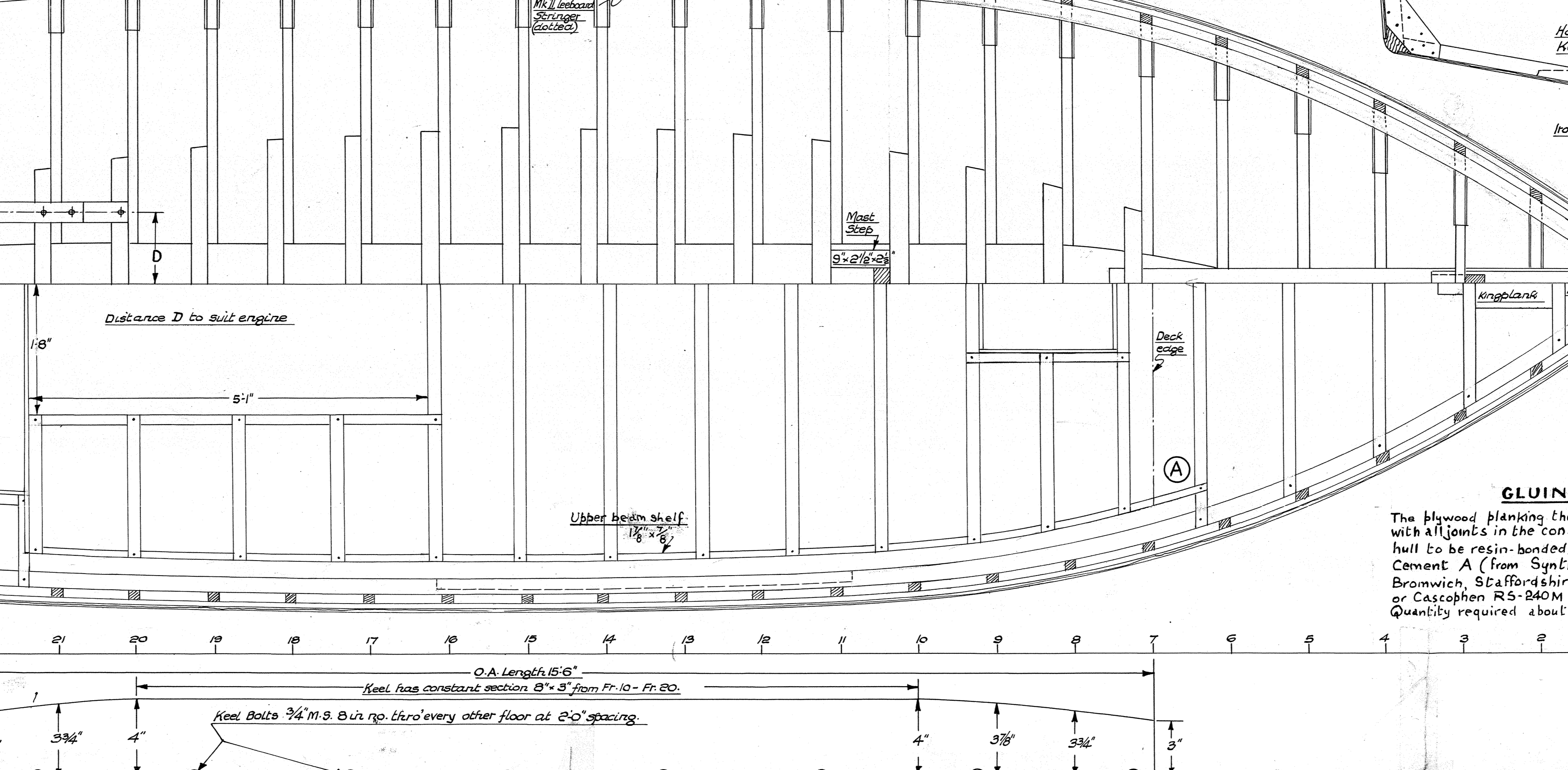
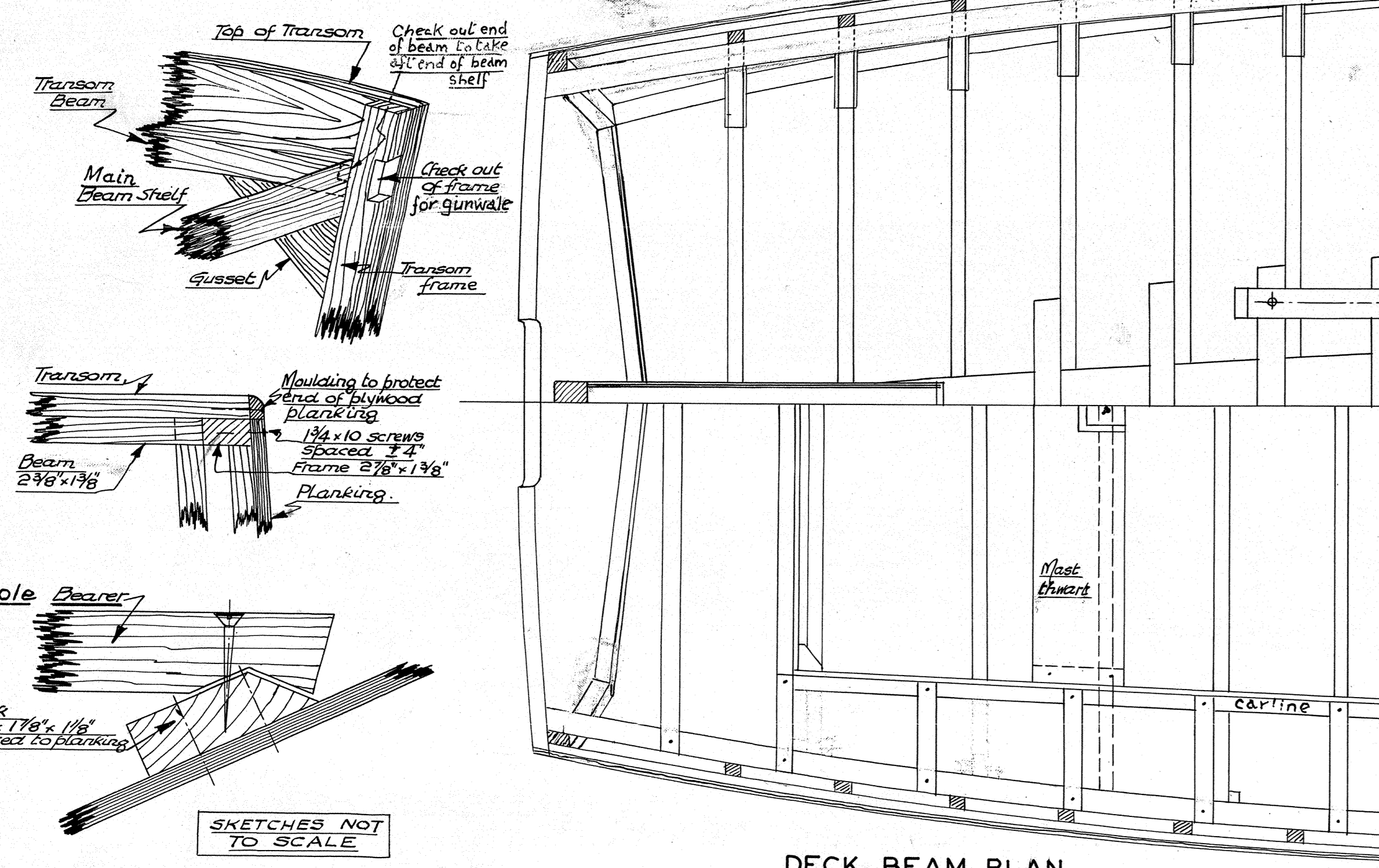
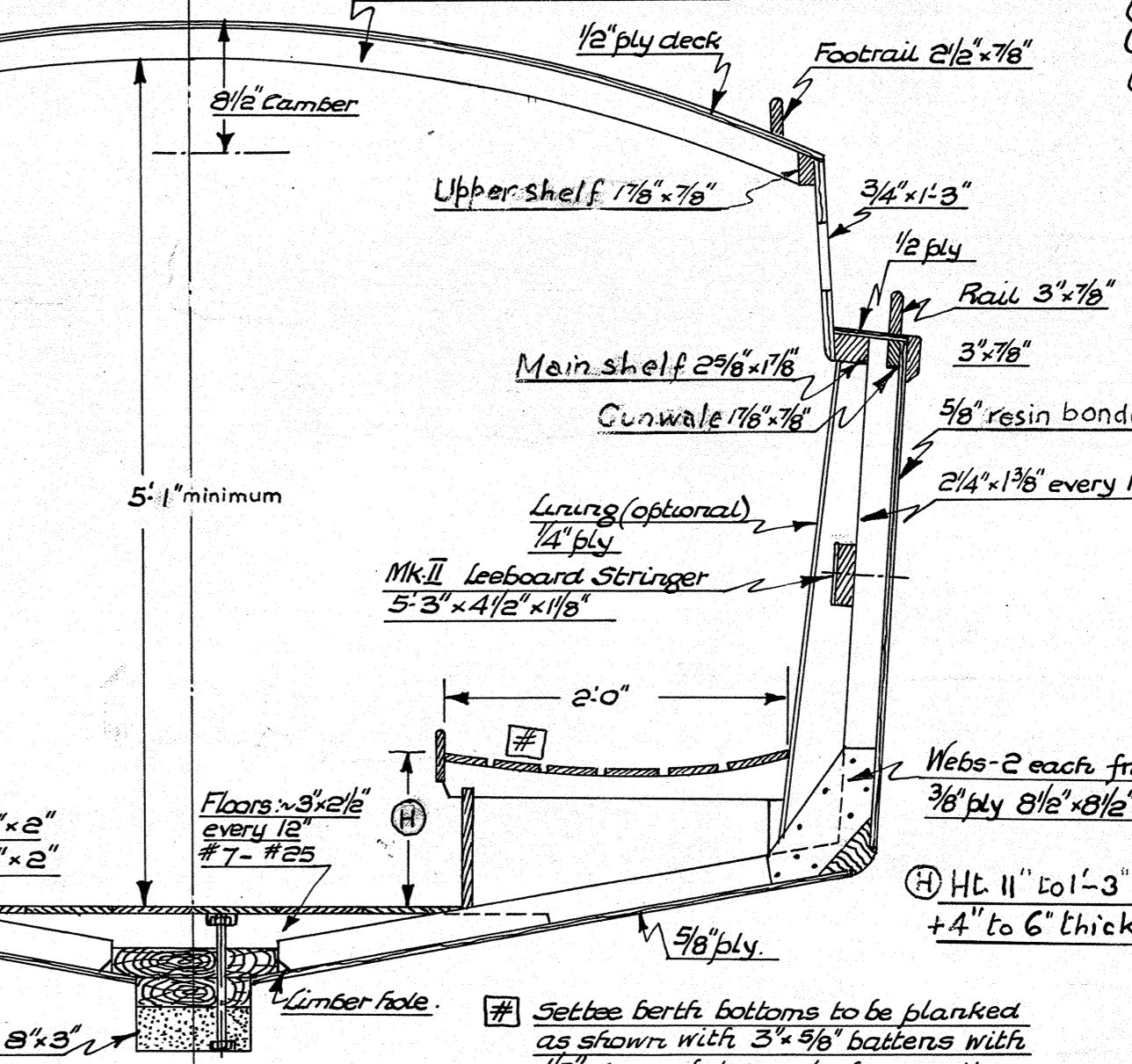
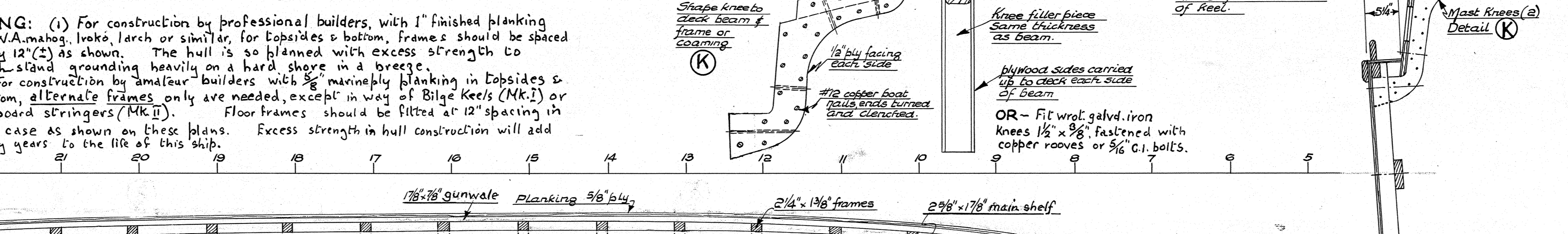
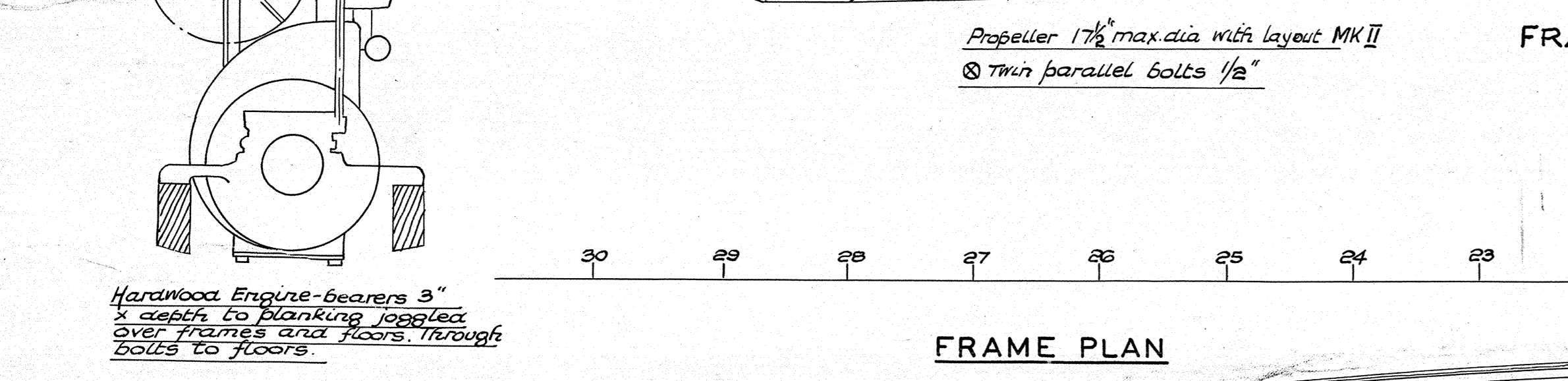


HEADROOM
Headroom beneath coachroof beams is 5'-0" in Mk II (leeboard) version.



GLUING
The plywood planking throughout together with all joints in the construction of the hull to be resin-bonded, using Beetle Cement A...