

STEM KEEL & DEADWOOD TEMPLATES

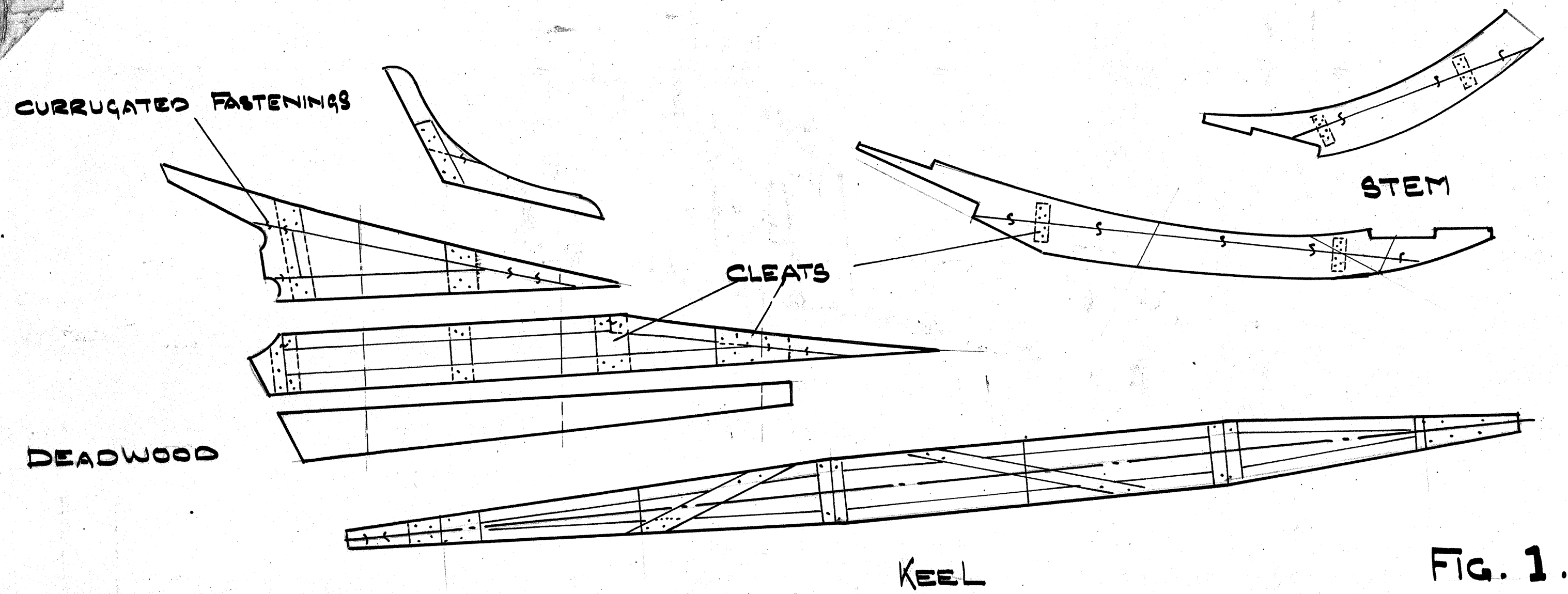


Fig. 1.

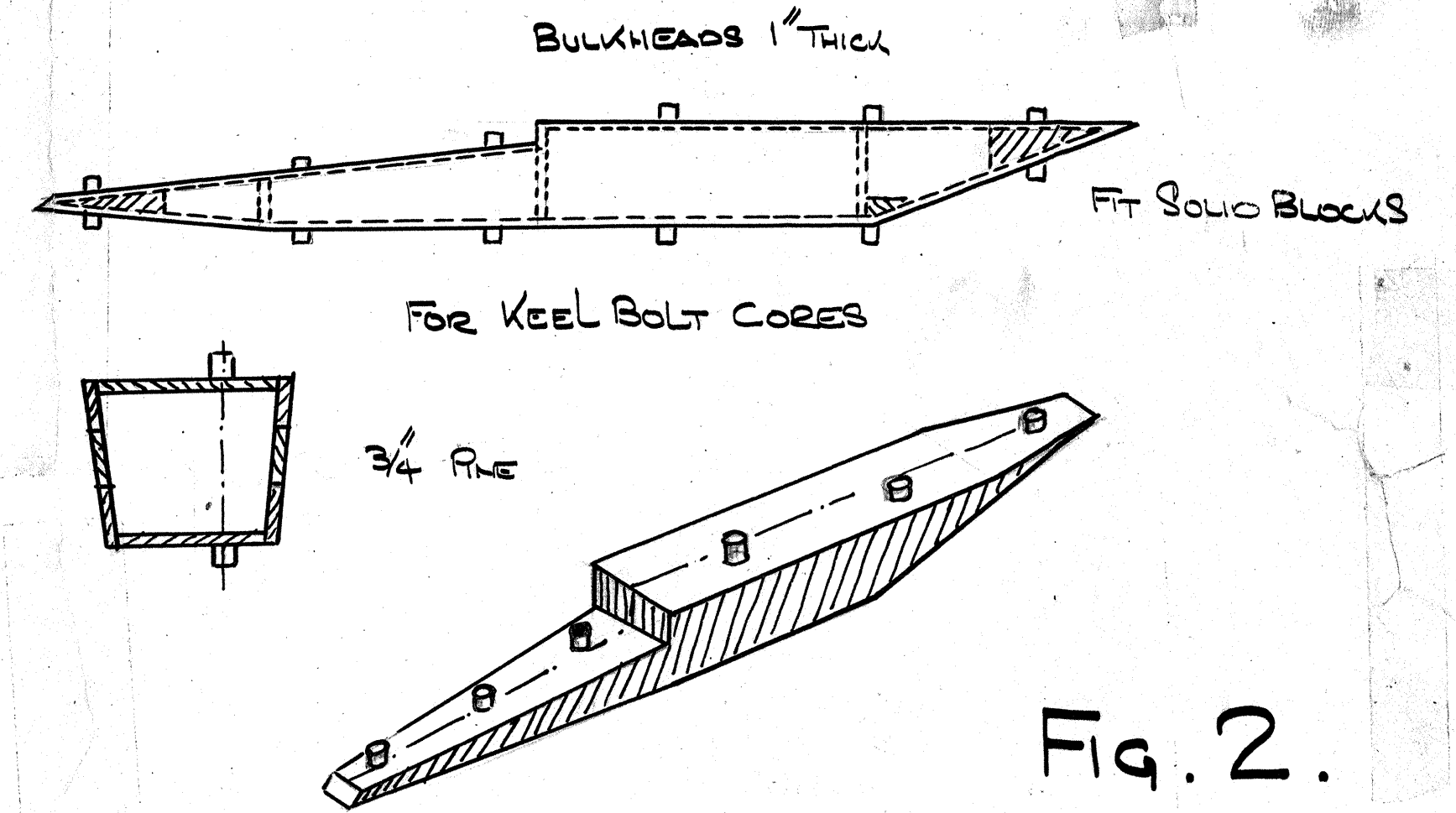


Fig. 2.

CAST IRON KEEL PATTERN

BORING FOR PROPELLER SHAFT

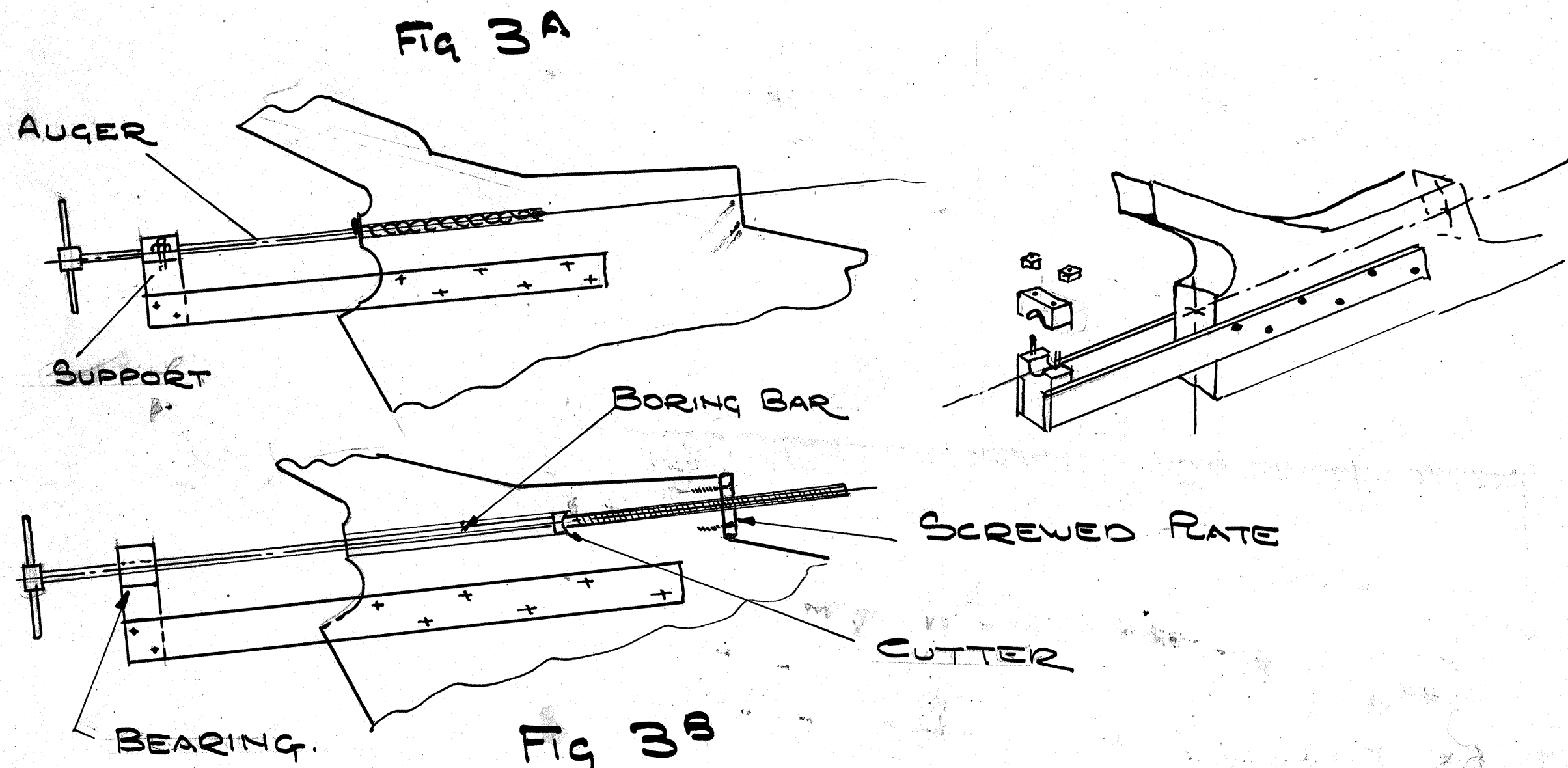
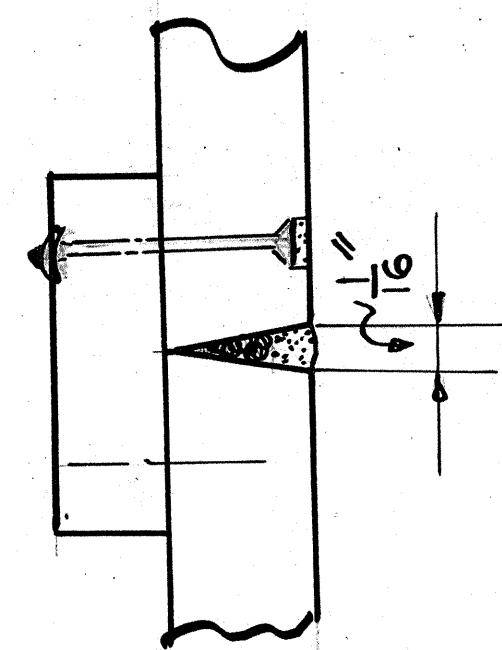


Fig 3A

Fig 3B



• Fig. 4.

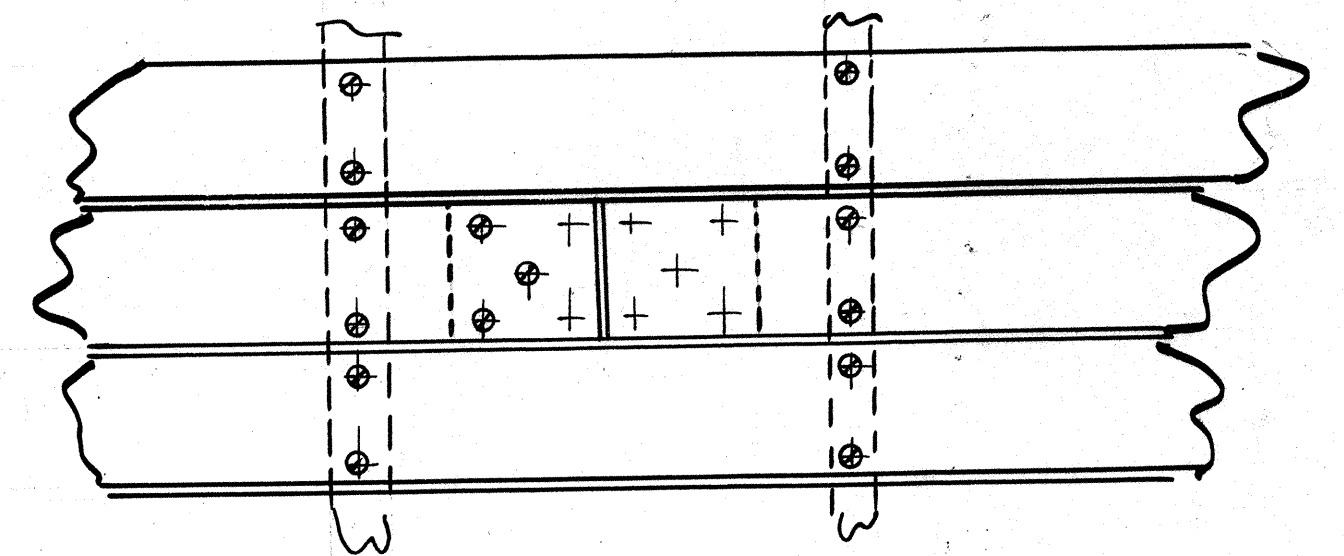


Fig. 5.

YACHTING MONTHLY 16/19^{FT} SLOOP
'WILD DUCK'
BUILDING INSTRUCTIONS

ALAN BUCHANAN, AINA

29-6-50

DRG No. 145 . SHEET No 6