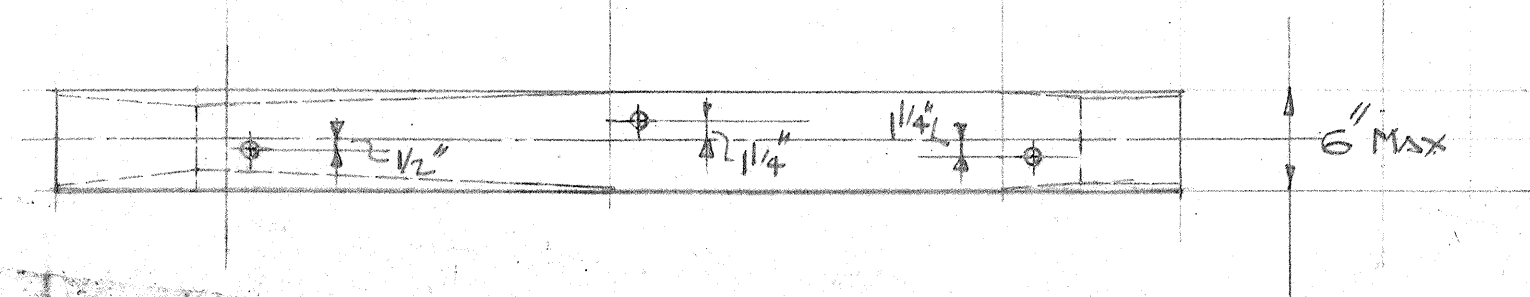
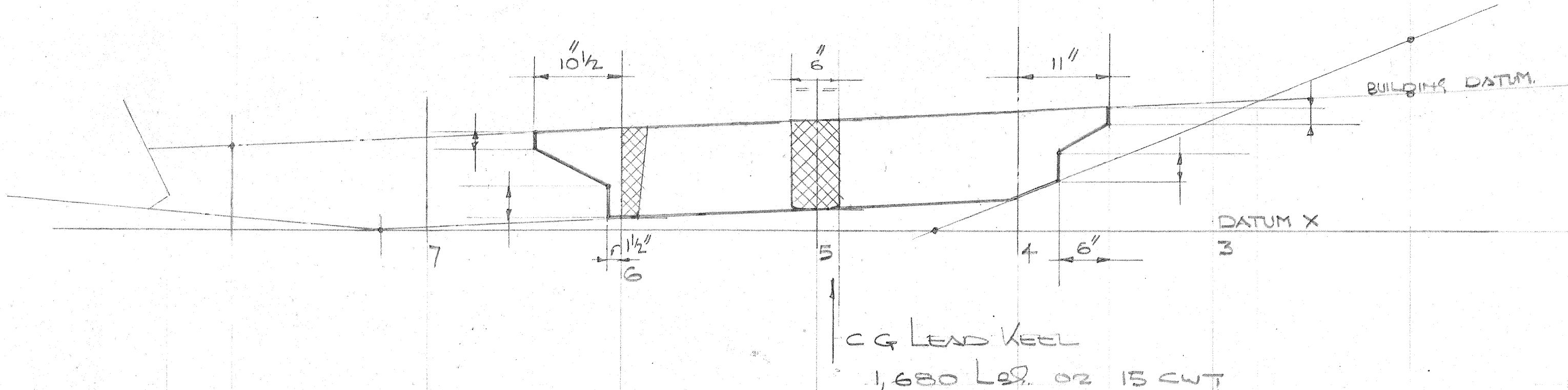
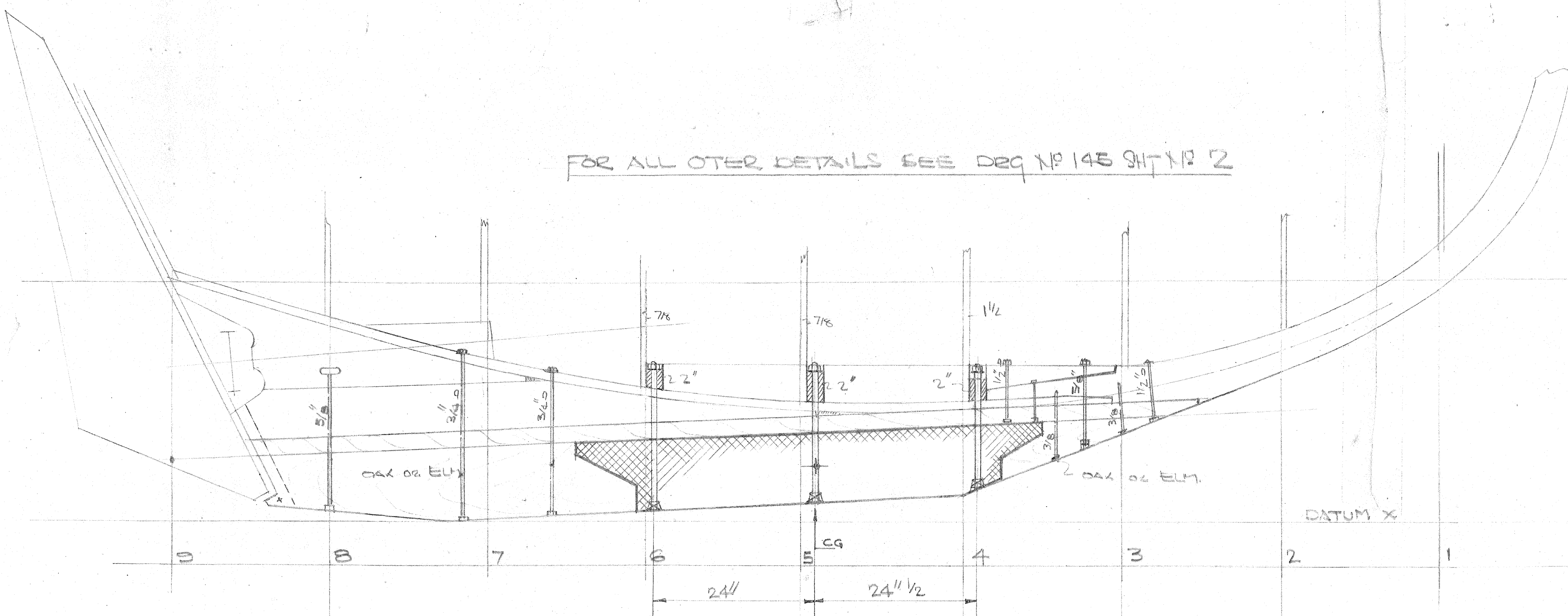


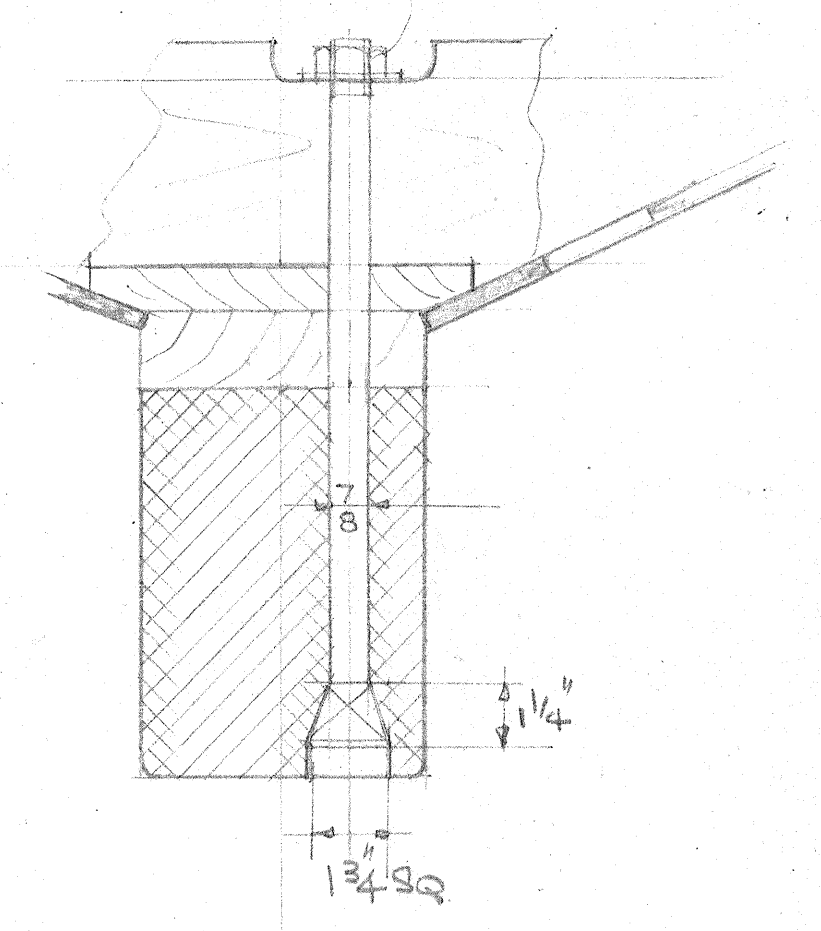
FOR ALL OTHER DETAILS SEE DRG NO 145 SHIT NO 2



FOR ALL OTHER DETAIL SEE DRG NO 145 SHIT NO 1

SCALE 1/2 OR 1" = 1 FT

3- MAIN KEEL BOLTS 7/8" DIA BRASS



TYPICAL SECTION

CAST LEAD 15 CWT

WILD DUCK
DETAILS FOR LEAD BALLAST KEEL
 DESIGNED BY
 ALAN BUCHANAN AINA A.R.A.S.

ISSUE	4
DATE	20-10-9

DRAWING NO A 145. SHIT NO A.1.